

# PRECISION AC CURRENT SENSOR

MODEL  
CTA



## FEATURES

- Accuracy 0.2%F.S.
- Use permalloy core material has higher magnetic flux density, transformers frequency range from 20Hz to 100KHz
- Dielectric strength 2KVac/1min. (input/output)
- Impuse test 5KV(1.2x50us)(IEC255-4,ANSI C37.90a/1974)
- Surge test (ring wave)2.5KV(0.25ms/1MHz)(IEC255-4)
- Low cost and dimension small and High stability

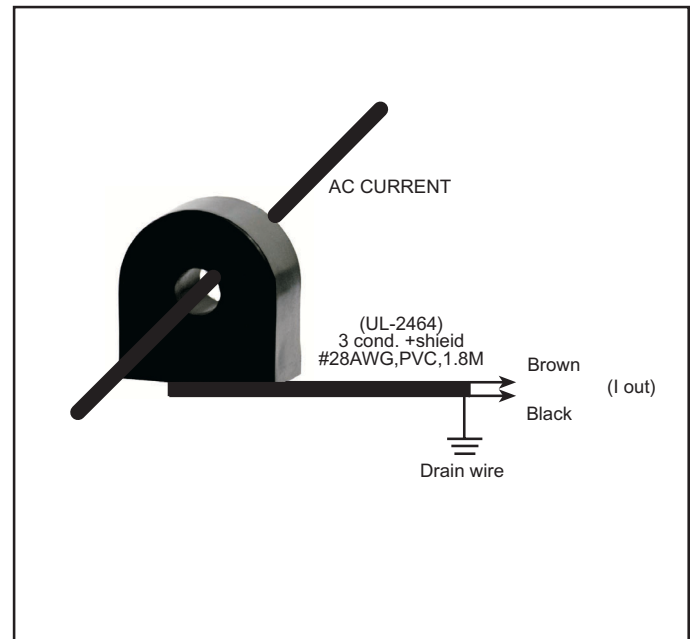
## 1.MODEL:CTA-□ □

NO	Current Range (Max.Load)	NO	Output Cable Length
1	AC0~5A/0~2mA(<250 ohm)	1	1.8M
2	AC0~50A/0~20mA(<25 ohm)	9	Customer
3	AC0~100A/0~40mA(<12.5 ohm)	*3 cond. +shield #28AWG,PVC	
4	AC0~200A/0~100mA(<5 ohm)		

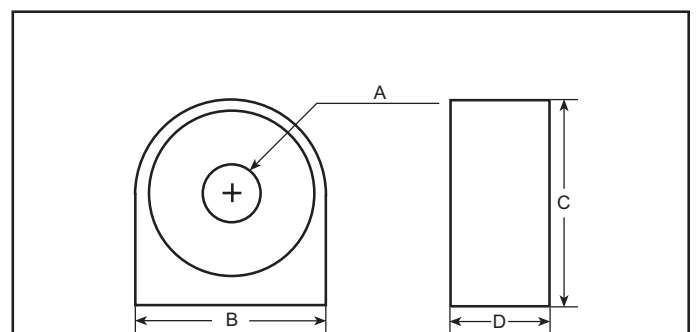
## 2.SPCIFICATION

- Measuring accuracy : 0.2% F.S.(25±15°C)
- Maximum input over : Current related input: 3 x rated continuous  
10 x rated 30 sec. 25 x rated 3 sec.  
50 x rated 1 sec.
- Input frequency range : 20Hz~100KHz
- Maximum output burden : <0.5VA
- Temp. coefficient : 25ppm/°C (25±35°C)
- Insulation resistance : >100M ohm with 500Vdc
- Dielectric strength : 2KVac/1 min. (input/output)
- Impulse test : ANSI C37.90a/1974,DIN-IEC 255-4  
impulse voltage 5KV(1.2x50us)
- Surge test (ring wave) : 2.5KV-0.25ms/1MHz(IEC255-4)
- RFI protection : 2W-150MHz at 2 meter causes less  
than 0.5% change in output
- Operating condition : -20~75°C (20 to 90% RH non-condensed)
- Storage condition : -30~90°C (20 to 90% RH non-condensed)
- Case materials : PBT(UL94-VO)
- CE EMC Certification : EN 55022:1998/A1:2000 Class A  
EN 61000-3-2:2000  
EN 61000-3-3:1995/A1:2001  
EN 55024:1998/A1:2001

## 3.TERMINAL CONNECTION



## 4.DIMENSION (unit:mm)



MODEL	A(max.)	B(max.)	C(max.)	D(max.)
CTA-1	6.6	23.5	25.2	11.0
CTA-2	9.0	26.0	28.2	17.0
CTA-3	13.0	37.5	39.0	14.2
CTA-4	18.2	50.0	55.0	20.1