

3 PHASE AC VOLTAGE/CURRENT METER, 96x96mm

**MODEL
MMP-VI**



■ FEATURES

- Accuracy 0.15% F.S.
- Measuring ACV-line/ACV-phase/A
- Measuring ACV/ACA total harmonic distortion (THD), up to 31th harmonic
- ACV/ACA for true RMS
- CT rate/PT rate can be modified (1 to 9999)
- Surge test 4KV(1.2x50us)
- Four alarm control function (optional)
- Digit RS-485 interface function (Optional)

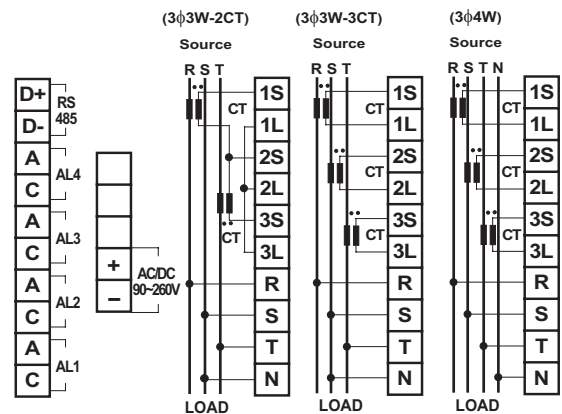
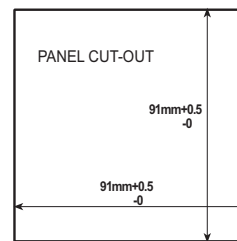
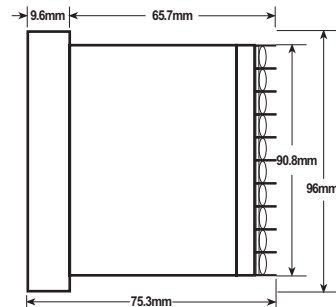
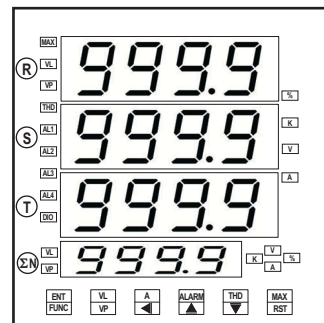
1. MODEL: MMP-VI-□ □ □ □

NO	Alarm Output	NO	RS-485	NO	Harmonic	NO	Aux. Power
N	None	N	None	N	None	A	AC/DC 18~60V
R	Four-Relay	Y	RS-485	Y	Harmonic	B	AC/DC 90~260V
P	Four-Pulse		• Modbus mode		• THD up to 31 th		• Less 4VA for AC/DC input

2. SPECIFICATION

- Measuring accuracy : 0.15% F.S.(V,A)
2% F.S.(THD to 31th)
- Input burden : <0.1VA (Voltage/ Current)
- Maximum input over : Voltage related input: maximum AC 750V
Current related input: 3 x rated continuous
10 x rated 30 sec. 25 x rated 3 sec. 50 x rated 1 sec.
- Over input indication : "doFL"
- Measurement range : AC voltage(3~500V)(45~65Hz)
AC current(0.025~5A)(45~65Hz)
- Sampling time : 2 cycles/second(total)
- CT/PT rate : 1~9999 adjustable(CT rate)
1.0~999.9 adjustable(PT rate)
- Alarm delay time : 0~±999 second adjustable
- Transistor output type : Photo couple of open-collector
(Max.DC60V/120mA)
- Relay contact output : AC 250V-5A, DC 30V-7A
- RS-485 adress : "01"~"FF"(0~255)
- RS-485 baud rate : 19200/9600/4800/2400 selective
- RS-485 protocol : Modbus RTU mode
- Temp. coefficient : 50ppm/°C (0~60°C)
- Display : Red high efficiency LEDs high 14.22mm(0.56")
Red high efficiency LEDs high 9.14mm(0.36")(ΣN)
- Parameter setting : Touch switches
- Memory mode : Non-volatile E² PROM memory
- Dielectric strength : 2KVac/1 min. (input/output/power)
1600Vdc (input/output)
- Surge test : ANSI c37.90a/1974, DIN-IEC 255-4
impulse voltage 4KV(1.2x50us)
- Operating condition : 0~50°C (20 to 90% RH non-condensed)
- Storage condition : 0~70°C (20 to 90% RH non-condensed)
- CE EMC Certification : EN 55022:1998/A1:2000 Class A
EN 61000-3-2:2000
EN 61000-3-3:1995/A1:2001
EN 55024:1998/A1:2001

3. OUTSIDE DIMENSION AND CONNECTION DIAGRAM



Note: Relay o/p

A
C

 ↔

E
C

 Transistor o/p