

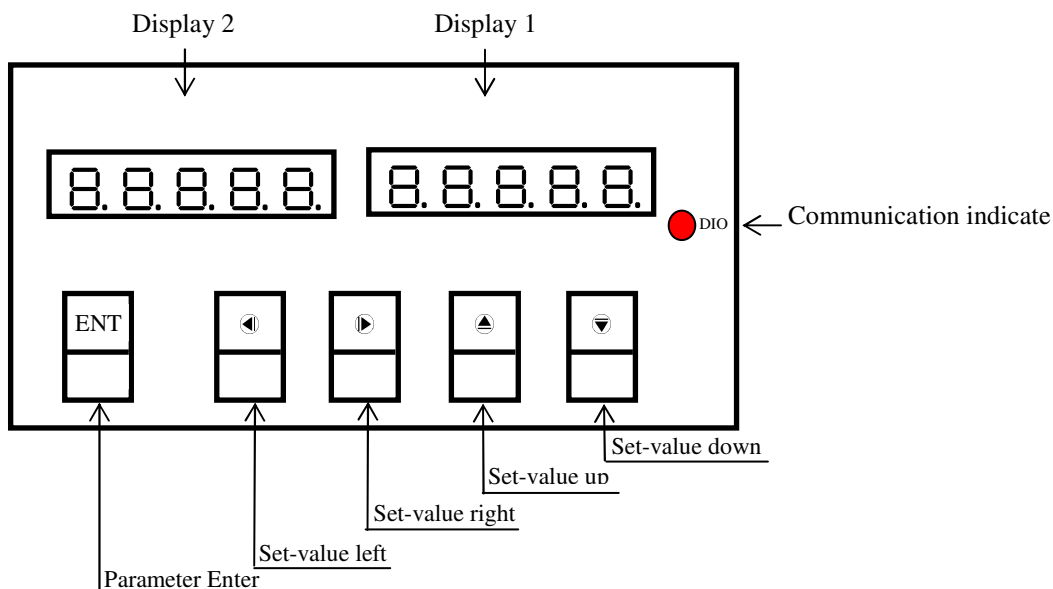
# AXE 5 Digit DISPLAY(48x96mm)

MMX-RS series

## ■ Features

- ⊙ Readout Range from -19999~99999
- ⊙ RS485 Communication interface, Protocol MODBUS RTU MODE
- ⊙ BAUD RATE:19200/9600/4800/2400
- ⊙ Modified inside parameter, must have pass code
- ⊙ EEPROM Saving, data safekeeping about 10 years
- ⊙ Decimal point can be modified

## ■ Name of Parts



Key Introduce	Operation Manual		
⊕ Key Function	1. In normal display, The key function is call out setting group 2. In parameter setting page, The key function is data Enter , and go to next page		
◀ Key Function	1. Into parameter setting page, the parameter mark & data is alternate display, If need modify data can press shift key into setting procedure, The display is lock parameter data, this time must let off key about 0.2 sec, press again, the cursor(twinkle express)is cycle moving left. (Key Response about 0.2 sec)		
▶ Key Function	1. Into parameter setting page, the parameter mark & data is alternate display, If need modify data can press shift key into setting procedure, The display is lock parameter data, this time must let off key about 0.2 sec, press again, the cursor(twinkle express)is cycle moving right. (Key Response about 0.2 sec)		
▲ Key Function	1. Into parameter setting page, the parameter mark & data is alternate display, If need modify data can press up key into setting procedure, The display is lock parameter data, this time must let off key about 0.2 sec, press again, the parameter data will increment. (Key Response about 0.2 sec)		
▼ Key Function	1. Into parameter setting page, the parameter mark & data is alternate display, If need modify data can press down key into setting procedure, The display is lock parameter data, this time must let off key about 0.2 sec, press again the parameter data will decrement. (Key Response about 0.2 sec)		
▲&▼ Key Function	In setting group or setting page press ▲&▼ key return normal display, but if in setting page the modify data will be lost		
No Key in anything	In setting group or setting page no key in anything about 2 minutes, return normal display		
Step	Parameter mark description	Parameter mark	Operation manual
1	Normal display	1 2 3 4 5	Press ⊕/FUNC key into P.COD setting page
1-2	P.COD(Pass code input page) Default=0	P.C o d	1. Key in 6 digit pass code with ◀&▲&▼ key 2.Press ⊕key, the pass code is right into setting group , otherwise return normal display
		0 0 0 0 0	
1-3	DP1(Decimal Point setting page) Default=0	d P 1	1. Decide decimal point position with ▲&▼ key (0 to 4) 2. Press ⊕ key enter data and into DP2 setting page
		0	

1-3	DP2(Decimal Point setting page) Default=0	DP2	1. Decide decimal point position with ▲&▼ key (0 to 4) (Only for dual display) 2. Press Ⓜ key enter data and into ADDR setting page
		0	
1-4	ADDR(Communication Address setting page ) Default=0	ADDR	1. Decide address with ◀&▶&▼ key(0~255) 2.Press Ⓜ key enter data and into BAUD setting page
		00000	
1-5	BAUD(Communication Baud Rate setting page) Default=19200	BAUD	1. Decide baud rate with ▲&▼ key(19200,9600,4800,2400) 2.Press Ⓜ key enter data and into PARI setting page
		19200	
1-6	PARI(Communication Parity Check setting page) Default=n82	PARI	1. Decide parity check with ▲&▼ key(n82,n81,even,odd) 2.Press Ⓜ key enter data and return CRC setting group
		n.8.2.	
1-7	CRC(Cyclic Redundancy Check Code) Default=NO	CRC	1. Decide parity check with ▲&▼ key (yes, no) 2. Press Ⓜ key enter data and into CODE setting page
		no	
1-8	CODE(Pass Code setting page) Default=0	CODE	1. Decide pass code with ◀&▶&▲&▼key(0~19999) 2. Press Ⓜ key enter data and into DP setting page
		00000	
Appendix	Error Mark Description	Error Mark	Analyze & Description
1	EEPROM error detect	E-00	1. External interference when EEPROM read/write 2.EEPROM write over 1 million times(guarantee 10 years) Please power reset, if still display E-00, doing following step: 1.E-00 & No alternate display for inquire reset EEPROM 2.Decide Yes with ▲ or ▼ key, press Ⓜ key return normal display 3.EEPROM was reset, Please fellow 1-8 step to set again.
		no	
		YES	

## MMX-BCD Modbus RTU Mode Protocol Address Map

Data format 16Bit/32Bit, sign bit 8000~7FFF( -32768~32767 )/80000000~7FFFFFFF(-2147483648~2147483647)

Address	Name	Description	Accept
0000	DP	MSB=DP2(Only for dual display)LSB=DP1, Each Byte range0~4 0:10 <sup>0</sup> ,1:10 <sup>1</sup> ,2:10 <sup>2</sup> ,3:10 <sup>3</sup> ,4:10 <sup>4</sup>	R/W
0001	ADDR	Communication address, range 0000~00FF(0~255)	R/W
0002	BAUD	Baud rate, range 0000:19200,0001:9600,0002:4800,0003:2400	R/W
0003	PARI	Parity check, range 0000:N82,0001:N81,0002:EVEN,0003:ODD	R/W
0004	CRC	CRC function, rage 0000:disable,0001:enable	R/W
0005	CODE	CODE, range 0000~4E1F(0~19999)	R/W
0006	DISPLAY1	Display1 High byte , range FFFFB1E1~0001869F ( -19999~99999 )	R/W
0007		Display1 Low byte , range FFFFB1E1~0001869F ( -19999~99999 )	
0008	DISPLAY2	Display2 High byte , range FFFFB1E1~0001869F ( -19999~99999 ) (Only for dual display)	R/W
0009		Display2 Low byte , range FFFFB1E1~0001869F ( -19999~99999 ) (Only for dual display)	