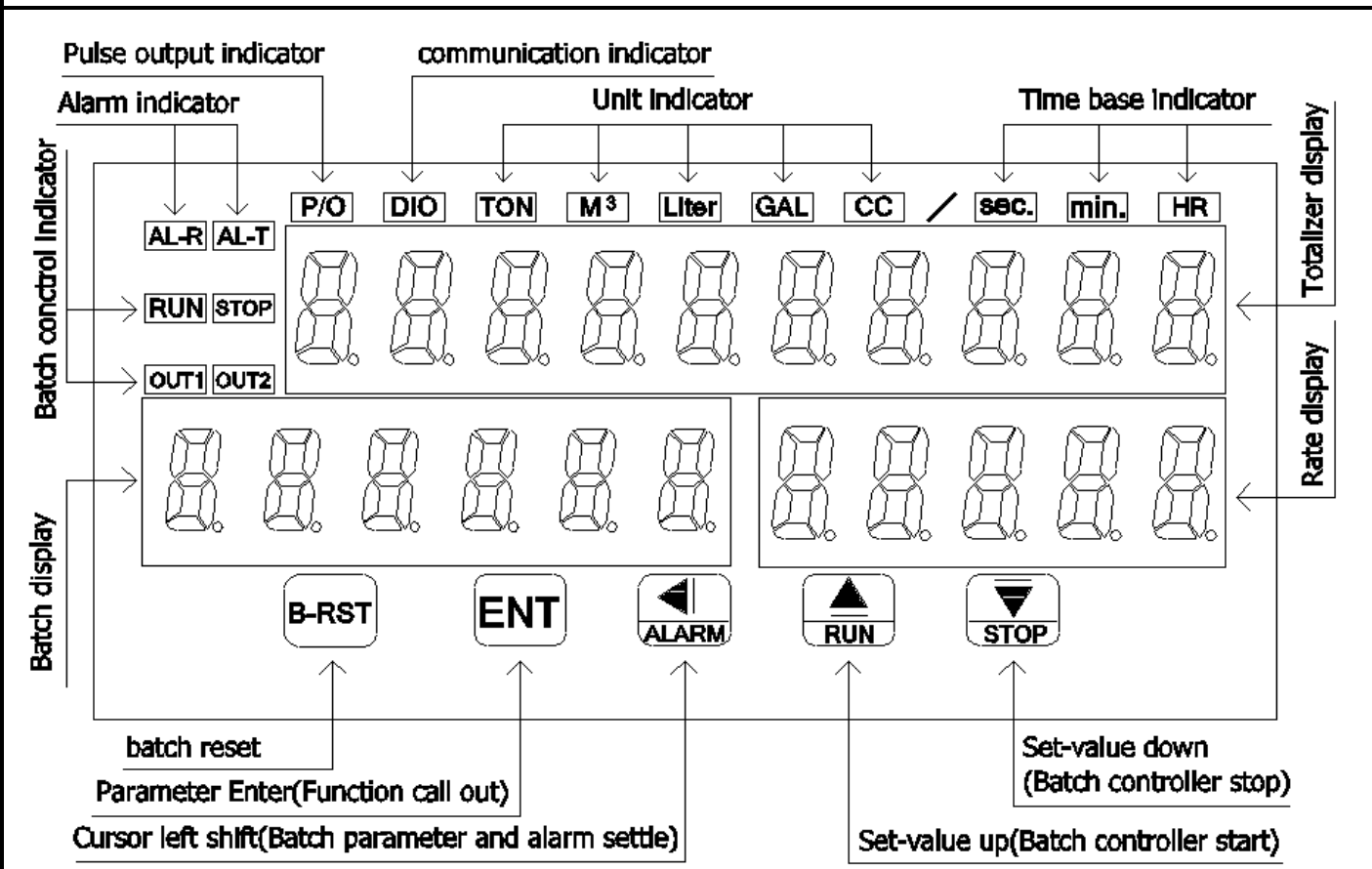


■ FEATURES

◎Accuracy 0.05% FS ± 1 digit	◎Front panel push buttons allow the operate to start/stop/batch reset function
◎Measuring and display rate(5 digits)/batch(6 digits)/totalizer(10 digits)	◎RS485 communication interface,MODBUS RTU MODE
◎Display flow unit TON/M ³ /Liter/GAL/CC can be modified	◎BAUD RATE:38400/19200/9600/4800/2400
◎Programable time base(1 or 60 or 3600 or 86400 second)	◎Man-machine interface,easy to operate
◎Prestop counting function for batch controller	◎EEPROM saving data safekeeping about 10 years
◎Two-counting mode Up/Down for batch controller	◎Protection class NEMA4/IP64

■ Name of Parts



Key Introduce	Operation Manual
⊕ key function	1. In normal display, the key function is call out setting group 2. In normal display, When IN-T = AN (Analog input), Keep ⊕ key press beyond 10 seconds, will be into D-ZERO setting page 3. In parameter setting page, the key function is data ENTER and goto next page
◀ key function	1. In normal display, Keep ◀ key press beyond 3 seconds, will be into BATCH setting page 2. In normal display, Keep ◀ key press beyond 10 seconds, will be into AL-R setting page 3. Into parameter setting page, the parameter mark & data is alternate display, If need modify data can press ◀ key into setting procedure, The display is lock parameter data, this time must let off key about 0.2 sec, press again, the cursor (twinkle express) is cycle moving left. (Key response about 0.2 sec.)
▲ key function	1. In normal display, Press ▲ key to start batch operate 2. Into parameter setting page, the parameter mark & data is alternate display, If need modify data can press ▲ key into setting procedure, The display is lock parameter data, this time must let off key about 0.2 sec, press again, the parameter data will be increment. (Key response about 0.2 sec.)
▼ key function	1. In normal display, Press ▼ key to stop batch operate 2. Into parameter setting page, the parameter mark & data is alternate display, If need modify data can press ▼ key into setting procedure, The display is lock parameter data, this time must let off key about 0.2 sec, press again, the parameter data will be decrement. (Key response about 0.2 sec.)

▲&▼ key function	1.In setting group or setting page press ▲ & ▼ key return normal display,but if in setting page the modify data will be lost
B-RST key function	1.When B-O-M = N(Manual), Press B-RST key beyond 3 seconds,wiiil be reset batch count
No key in anything	1.In setting group or setting page no key in anything about 30 sec.,return normal display

■ Inside parameter operate procedure

Step	Parameter Mark Description	Parameter Mark	Operation Manual
1	Normal display	0 1 2 3 4	1.Press key into P.COD setting page
2	P.COD(Pass Code) Default = 0	P - C o d e 0 0 0 0 0	1.Key in 5 digit pass code with ▲&▲&▼ key 2.Press key,If the pass code is correct then into setting group,otherwise,return normal display
3	SYS(System Setting Group)	S Y S	1.Select setting group with ◀ key 2.Press key into setting page of selection setting group
	ROP(Alarm output Setting Group)	r o P	
	DOP(Communication Setting Group)	d o P	
	AOP(Analog output Setting Group)	A o P	
4	SYS(System setting group)	S Y S	1.Press ◀ key decide SYS setting group 2.Press key into IN-T setting page
4-1	IN-T(Input Type) Default = AN	i n - t A n	1.Decide Input Type with ▲&▼ key(0~3)(AN/PULSE/MAG-P) 2.Press key enter data and into D-UNIT setting page
4-2	D-UNIT(Display Flow Unit) Default = TON	d - U n i t t o n	1.Decide Display Flow Unit with ▲&▼ key(TON/M ³ /Liter/ GAL/CC) 2.Press key enter data and into T-UNIT setting page
4-3	T-UNIT(Time base Unit) Default = MIN	t - U n i t m i n	1.Decide Time base Unit with ▲&▼ key(SEC./MIN./HR/DAY) 2.Press key enter data and into DP.R setting page
4-4	DP.R(Rate Decimal Point) Default = 0	d P - r 0 0 0 0 0	1.Decide Rate Decimal Point with ▲&▼ key(0~4) 2.Press key enter data and into DP.B setting page
4-5	DP.B(Batch Decimal Point) Default = 0	d P - b 0 0 0 0 0	1.Decide Batch Decimal Point with ▲&▼ key(0~4) 2.Press key enter data and into DP.T setting page
4-6	DP.T(Totalizer Decimal Point) Default = 0	d P - t 0 0 0 0 0	1.Decide Total Decimal Point with ▲&▼ key(0~4) 2.If IN-T = AN,Press key enter data and into step 4-7 DSPL-R setting page 3.If IN-T = PULSE/MAG-P,Press key enter data and into step 4-10 DP-KF setting page
4-7	DSPL-R(Rate Display Low) Default = 0	d S P L - r 0 0 0 0 0	1.Decide Rate Display Low with ◀&▲&▼ key(0~999), If Rate display below settle value will be show zero, as Low Cut function 2.Press key enter data and into DSPH-R setting page
4-8	DSPH-R(Rate Display High) Default = 1000	d S P H - r 0 1 0 0 0	1.Decide Rate Display High with ◀&▲&▼ key(0~99999) 2.Press key enter data and into SQRT-K setting page
4-9	SQRT-K(Rootextractor Constant -K) Default = 0.5	S q r t - k 0.5	1.Decide Rootextractor Constant-K with ▲&▼ key(K=0.5/ 1.5/2.5) 2.Press key enter data and into step 4-13 B-I-M setting page
4-10	DP-KF(K-Factor Decimal Point) Default = 0	d P - k F 0 0 0 0 0	1.Decide K-Factor Decimal Point with ▲&▼ key(0~4) 2.Press key enter data and into KF setting page
4-11	KF(K-Factor) Default = 100	k F 0 0 1 0 0	1.Decide K-Factor with ◀&▲&▼ key(1~99999) 2.Press key enter data and into T-BASE setting page
4-12	T-BASE(Time Base) Default = 1.0 second	t - b a s e 0 0 0 1.0	1.Decide Time Base with ◀&▲&▼ key(0.1~99.9 秒) 2.Press key enter data and into B-I-M setting page
4-13	B-I-M(Batch Controller Counting	b - i - m	1.Decide Batch Controller Counting Mode with ▲&▼ key

	Mode) Default = UP	UP	(UP/DOWN) 2. Press key enter data and into B-O-M setting page
4-14	B-O-M(Batch Controller Output Mode) Default = N	b-o-n n	1. Decide Batch Controller Output Mode with & key (N/A), N = Manual reset, A = Auto restart 2. Press key enter data and into B-AT-T setting page
4-15	B-AT-T(Batch Controller Auto-Restart Time) Default = 0.1 second	b-At-t 0000.1	1. Decide Batch Controller Auto-Reset Time with & & key (0.1~99.9 seconds), B-O-M = N will be disable 2. Press key enter data and into T-C-M setting page
4-16	T-C-M(Totalizer Counting Mode) Default = N-SYN	t-c-n n-syn	1. Decide Totalizer Counting Mode with & key (SYN (synchronize)/N-SYN(non-synchronize)) 2. Press key enter data and into SCALE setting page
4-17	SCALE(Totalizer Scale) Default = 1.0000	SCALE 10000	1. Decide Totalizer Scale with & & key (0.0001~9.9999) 2. Press key enter data and into AVG setting page
4-18	AVG(Average) Default = 5	AVG 00005	1. Decide Average with & & key (1~99) 2. Press key enter data and into CODE-S setting page
4-19	CODE-S(Code Setting) Default = 00000	CODE-S 00000	1. Decide Code Setting with & & key (00000~99999) 2. Press key enter data and into LOCK setting page
4-20	LOCK(Panel Lock) Default = 0	LOCK 00000	1. Decide Panel Lock with & key (0~2) 0 = All operate procedure can be modified 1 = Only outside operate procedure can be modified 2 = Only batch operate procedure can be modified 2. Press key enter data and return SYS Setting Group
5	ROP(Alarm Output setting group)	rop	1. Press key decide ROP setting group 2. Press key into ACT-R setting page
5-1	ACT-R(Rate Active Direction) Default = HI	Act-r HI	1. Decide Rate Active Direction with & key (HI/LO) 2. Press key enter data and into DEL-R setting page
5-2	DEL-R(Rate Alarm Delay Time) Default = 0	del-r 00000	1. Decide Rate Alarm Delay Time with & & key (-99~99) -1~99 = Alarm active time 1~99 = Alarm delay time 2. Press key enter data and into T-O-M setting page
5-3	T-O-M(Totalizer Alarm output Mode) Default = N	t-o-n n	1. Decide Totalizer Alarm output Mode with & key (N/A) N = Manual reset, A = Auto restart 2. Press key enter data and into T-AT-T setting page
5-4	T-AT-T(Totalizer Alarm Auto-restart Time) Default = 0.1 second	t-At-t 0000.1	1. Decide Totalizer Alarm Auto-restart Time with & & key (0.1~99.9 seconds), T-O-M = N will be disable 2. Press key enter data and into T-RST setting page
5-5	T-RST(Totalizer Manual Reset) Default = NO	t-rst no	1. Decide Totalizer Manual Reset with & key (YES/NO) T-O-M = A will be disable 2. Press key enter data and into P-UNIT setting page
5-6	P-UNIT(Totalizer Pulse Unit) Default = 1	p-unit 1	1. Decide Totalizer Pulse Unit with & key (0.001/0.01/0.1/1) 2. Press key enter data and into P-FREQ setting page
5-7	P-FREQ(Pulse Output Frequency) Default = 100	p-freq 100	1. Decide Pulse Output Frequency with & key (1/5/10/25/50/100 Hz) 2. Press key enter data and return ROP Setting Group
6	DOP(Communication setting group)	dop	1. Press key decide DOP setting group 2. Press key into ADDR setting page
6-1	ADDR(Communication Address) Default = 0	addr 00000	1. Decide Communication Address with & & key (0~255) 2. Press key enter data and into BAUD setting page
6-2	BAUD(Communication Baud Rate) Default = 19200	baud 19200	1. Decide Communication Baud Rate with & key (38400/19200/9600/4800/2400) 2. Press key enter data and into PARI setting page
6-3	PARI(Communication Parity Check) Default = n.8.2.	pari n.8.2.	1. Decide Communication Parity Check with & key (n.8.2/n.8.1/even/odd) 2. Press key enter data and return DOP Setting Group

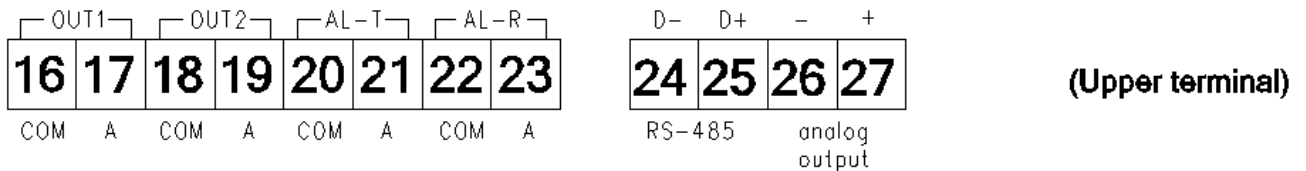
7	AOP(Analog Output setting group)	A O P	1.Press ◀ key decide AOP setting group 2.Press Ⓜ key into AO-SEL setting page
7-1	AO-SEL(Analog Output Select) Default = RATE	A O - S E L	1.Decide Analog Output Select with ▲&▼ key(RATE/TOTAL/BATCH) 2.If AO-SEL = RATE,Press Ⓜ key enter data and into step 7-2 R-ANLO setting page 3.If AO-SEL = TOTAL,Press Ⓜ key enter data and into step 7-4 T-ANLO setting page 4.If AO-SEL = BATCH,Press Ⓜ key enter data and into step 7-6 B-ANLO setting page
		R A T E	
7-2	R-ANLO(RATE Analog Output Zero-According to Display) Default = 0	r - A n L o	1.Decide RATE Analog Output Zero-According to Display with ◀&▲&▼ key(0~99999) 2.Press Ⓜ key enter data and into R-ANHI setting page
		0 0 0 0 0	
7-3	R-ANHI(RATE Analog Output Span-According to Display) Default = 1000	r - A n H i	1.Decide RATE Analog Output Span-According to Display with ◀&▲&▼ key(0~99999) 2.Press Ⓜ key enter data and into step 7-8 A-ZERO setting page
		0 1 0 0 0	
7-4	T-ANLO(Total Analog Output Zero-According to Display) Default = 0	t - A n L o	1.Decide Total Analog Output Zero-According to Display with ◀&▲&▼ key(0~999999999) 2.Press Ⓜ key enter data and into T-ANHI setting page
		0 0 0 0 0	
7-5	T-ANHI(Total Analog Output Span-According to Display) Default = 1000	t - A n H i	1.Decide Total Analog Output Span-According to Display with ◀&▲&▼ key(0~999999999) 2.Press Ⓜ key enter data and into step 7-8 A-ZERO setting page
		0 1 0 0 0	
7-6	B-ANLO(Batch Analog Output Zero-According to Display) Default = 0	b - A n L o	1.Decide Batch Analog Output Zero-According to Display with ◀&▲&▼ key(0~999999) 2.Press Ⓜ key enter data and into B-ANHI setting page
		0 0 0 0 0 0	
7-7	B-ANHI(Batch Analog Output Span-According to Display) Default = 1000	b - A n H i	1.Decide Batch Analog Output Span-According to Display with ◀&▲&▼ key(0~999999) 2.Press Ⓜ key enter data and into step 7-8 A-ZERO setting page
		0 0 1 0 0 0	
7-8	A-ZERO(Analog Output Zero Adjust) Default = 0	A - Z E R o	1.Decide Analog Output Zero Adjust with ◀&▲&▼ key (-6000~6000) 2.Press Ⓜ key enter data and into A-SPAN setting page
		0 0 0 0 0	
7-9	A-SPAN(Analog Output Span Adjust) Default = 0	A - S P A n	1.Decide Analog Output Span Adjust with ◀&▲&▼ key (-6000~6000) 2.Press Ⓜ key enter data and return AOP Setting Group
		0 0 0 0 0	

■ Outside parameter operate procedure			
Step	Parameter Mark Description	Parameter Mark	Operation Manual
8	Normal display	0 1 2 3 4	1.Press ◀ key beyond 3 seconds into BATCH setting page
8-1	BATCH(Batch) Default = 100	b A T C H	1.Decide Batch with ◀&▲&▼ key(0~999999) 2.Press Ⓜ key enter data and into START-D setting page
		0 0 0 1 0 0	
8-2	START-D(OUT2 Start Delay Time) Default = 1 second	S T A R T - d	1.Decide OUT2 Start Delay Time with ◀&▲&▼ key(0~99 second) 2.Press Ⓜ key enter data and into PRESTOP setting page
		0 0 0 0 0 1	
8-3	PRESTOP(OUT2 Prestop Counting) Default = 1	P R E S T o P	1.Decide OUT2 Prestop Counting with ◀&▲&▼ key (0~9999) 2.Press Ⓜ key enter data and return Normal display
		0 0 0 0 0 1	
9	Normal display	0 1 2 3 4	1.Press ◀ key beyond 10 seconds into AL-R setting page
9-1	AL-R(Rate Alarm) Default = 100	A L - r	1.Decide Rate Alarm with ◀&▲&▼ key(0~99999) 2.Press Ⓜ key enter data and into AL-T setting page
		0 0 0 1 0 0	
9-2	AL-T(Totalizer Alarm) Default = 10000	A L - t	1.Decide Totalizer Alarm with ◀&▲&▼ key (0~9999999999) 2.Press Ⓜ key enter data and return Normal display
		0 1 0 0 0 0	
10	Normal display	0 1 2 3 4	1.If IN_T = AN,Press Ⓜ key beyond 10 seconds into D-ZERO setting page

10-1	D-ZERO(Display Zero Adjust) Default = 0	d - Z E R O	1.Decide Display Zero Adjust with ▲&▼ key 2.Press Ⓜ key enter data and into D-SPAN setting page
		000000	
10-2	D-SPAN(Display Span Adjust) Default = 0	d - S P A N	1.Decide Display Span Adjust with ▲&▼ key 2.Press Ⓜ key enter data and return Normal display
		000000	

Appendix	Error Mark description	Error Mark	Analyze & Description
1	Display over range error detect	d o F L	1.Input signal over display range
2	Input over range error detect	, o F L	1.Input signal over measurable range
3	EEPROM error detect	E - 00	1.External interference when EEPROM read/write 2.EEPROM write over 100,000 cycles(guarantee 10 years) Please power reset, if still display E-00, doing below step: a.E-00 & No alternate display for inquire reset EEPROM b.Decide Yes with ▲&▼ key, Press Ⓜ key return normal display c.EEPROM was reset, Please follow step 1~10 setting again
		n o	
		Y E S	

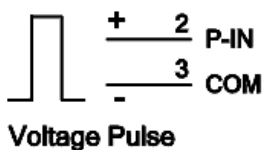
■ TERMINAL DIAGRAM



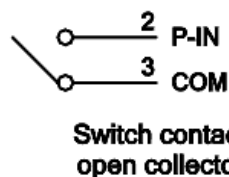
TERMINAL DESCRIPTIONS:

- 1.B-RST terminal: If B-O-M = N(Manual reset), Once terminal B-RST & COM is short, Batch controller reset
 - 2.RUN terminal: a. If batch controller is pulse, Once terminal RUN & COM is short, batch controller continue run
b. If B-O-M = N(Manual reset), Batch controller already reset, Once terminal RUN & COM is short, batch controller will be restart
 - 3.STOP terminal: When batch controller is action, Once terminal STOP & COM short, Controller will be pulse
 - 4.SQRT terminal: When terminal SQRT & COM short, Analog input Rootextractor action
- Note: VR is ON/OFF detect adjust for Magnetic pick-up signal

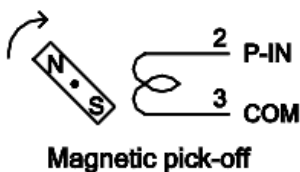
■ Pulse input and internal jumper table



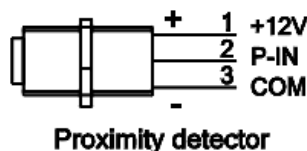
S2-A	S2-B
OFF	OFF



S2-A	S2-B
ON	ON

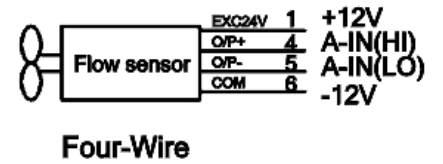
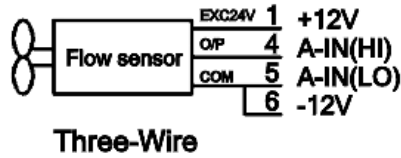
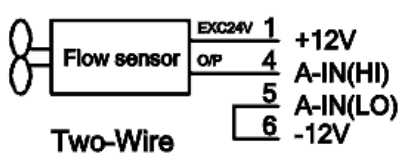


S2-A	S2-B
OFF	ON

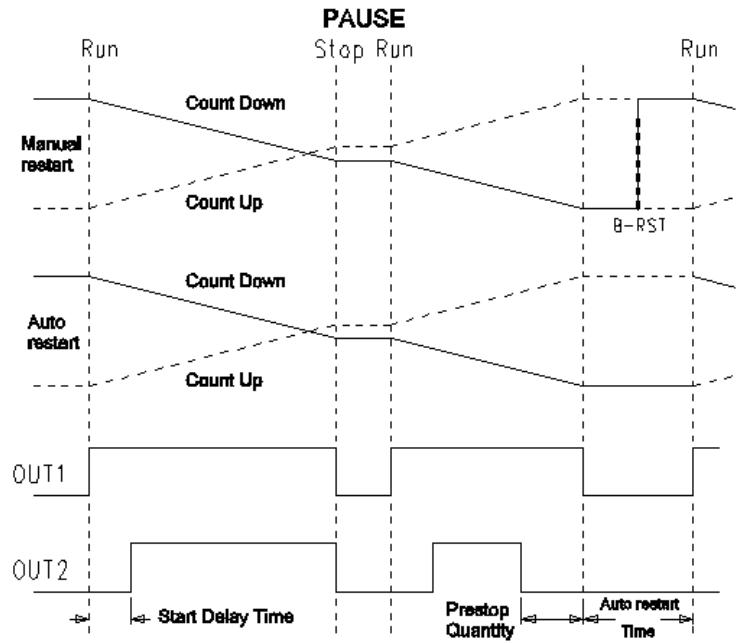
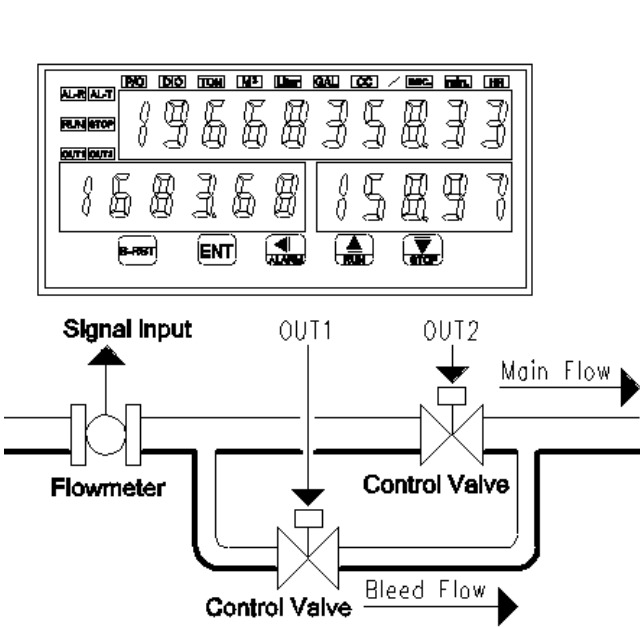


NPN		PNP	
S2-A	S2-B	S2-A	S2-B
ON	OFF	OFF	OFF

■ Analog input



■ Batch operations



Note: The RUN, STOP main function is control OUT1, OUT2 start and pause, but is not effect the signal input count of batch and totalizer.

MRT-B Modbus RTU Mode Protocol Address Map

Data format 16Bit/32Bit sign bit 8000~7FFF(-32768~32767),80000000~7FFFFFFF(-2147483648~2147483647)

Data format 64Bit unsigned bit 0000000000000000~FFFFFFFFFFFFFFFF(0 ~ (2⁶⁴-1))

Address	Name	Description	Accept
0000	IN_T	Input Type,Input Range 0000~0002(0~2)(AN/PULSE/MAG-P)	R/W
0001	D_UNIT	Display Flow Unit,Input Range 0000~0004(0~4)(TON/M3/LITER/GAL/CC)	R/W
0002	T_UNIT	Time base Unit,Input Range 0000~0003(0~3)(SEC/MIN/HR/DAY)	R/W
0003	DP_R	Rate Decimal Point,Input Range 0000~0004(0~4)	R/W
0004	DP_B	Batch Decimal Point,Input Range 0000~0004(0~4)	R/W
0005	DP_T	Totalizer Decimal Point,Input Range 0000~0004(0~4)	R/W
0006	DP_KF	Pulse input K-Factor Decimal Point,Input Range 0000~0004(0~4)	R/W
0007	T_BASE	Time Base,Input Range 0001~03E7(0.1~99.9 seconds)	R/W
0008	DSPL_R	Rate Display Low,Input Range 0001~03E7(0~999)	R/W
0009	SQRT_K	Analog input Square Root Constant-K,Input Range 0000~0002(0~2)(0.5/1.5/2.5)	R/W
000A	B_I_M	Batch Controller Counting Mode,Input Range 0000~0001(0~1)(UP/DOWN)	R/W
000B	B_O_M	Batch Controller Output Mode,Input Range 0000~0001(0~1)(N = Manual,A = Auto)	R/W
000C	B_AT_T	Batch Controller Auto-Restart Time,Input Range 0001~03E7(0.1~99.9 seconds)	R/W
000D	T_C_M	Totalizer Counting Mode,Input Range 0000~0001(0~1)(SYN/N-SYN)	R/W
000E	AVG	Average,Input Range 0001~0063(1~99)	R/W
000F	LOCK	Panel Lock,Input Range 0000~0002(0~2)	R/W
0010	ACT_R	Rate Active Direction,Input Range 0000~0001(0~1)(HI/LO)	R/W
0011	T_O_M	Totalizer Alarm output Mode,Input Range 0000~0001(0~1)(N = Manual,A = Auto)	R/W
0012	T_AT_T	Totalizer Alarm Auto-restart Time,Input Range 0001~03E7(0.1~99.9 seconds)	R/W
0013	T_RST	Totalizer Manual Reset,Input Range 0000~0001(0~1)(NO/YES)	R/W
0014	P_UNIT	Totalizer Pulse Unit,Input Range 0000~0003(0~3)(0.001/0.01/0.1/1)	R/W
0015	ADDR	Communication Address,Input Range 0000~00FF(0~255)	R/W
0016	BAUD	Baud Rate,Input Range 0000~0004(0~4)(0:38400,1:19200,2:9600,3:4800,4:2400)	R/W
0017	PARI	Parity Check,Input Range 0000~0003(0~3)(0:N82,1:N81,2:EVEN,3:ODD)	R/W
0018	AO_SEL	Analog Output Select,Input Range 0000~0002(0~2)(RATE/TOTAL/BATCH)	R/W
0019	START_D	OUT2 Start Delay Time,Input Range 0000~0063(0~99 seconds)	R/W
001A	PRESTOP	OUT2 Prestop Counting,Input Range 0000~270F(0~9999)	R/W
001B	DEL_R	Rate Alarm Delay Time,Input Range FF9D~0063(-99~99)	R/W
001C	A_ZERO	Analog Output Zero Adjust,Input Range E890~1770(-6000~6000)	R/W
001D	A_SPAN	Analog Output Span Adjust,Input Range E890~1770(-6000~6000)	R/W
001E	KF	K-Factor,Input Range 00000001~0001869F(1~99999)high word	R/W
001F		K-Factor,Input Range 00000001~0001869F(1~99999)low word	R/W
0020	DSPH_R	Analog input Rate Display High,Input Range 00000000~0001869F(0~99999)high word	R/W
0021		Analog input Rate Display High,Input Range 00000000~0001869F(0~99999)low word	R/W
0022	SCALE	Totalizer Scale,Input Range 00000001~0001869F(0.0001~9.9999)high word	R/W
0023		Totalizer Scale,Input Range 00000001~0001869F(0.0001~9.9999)low word	R/W
0024	CODE_S	Code Setting,Input Range 00000000~0001869F(0~99999)high word	R/W
0025		Code Setting,Input Range 00000000~0001869F(0~99999)low word	R/W
0026	R_ANLO	RATE ANLO,Input Range 00000000~0001869F(0~99999)high word	R/W
0027		RATE ANLO,Input Range 00000000~0001869F(0~99999)low word	R/W
0028	R_ANHI	RATE ANHI,Input Range 00000000~0001869F(0~99999)high word	R/W
0029		RATE ANHI,Input Range 00000000~0001869F(0~99999)low word	R/W

002A	B_ANLO	Batch ANLO,Input Range 00000000~000F423F(0~999999)high word	R/W
002B		Batch ANLO,Input Range 00000000~000F423F(0~999999)low word	R/W
002C	B_ANHI	Batch ANHI,Input Range 00000000~000F423F(0~999999)high word	R/W
002D		Batch ANHI,Input Range 00000000~000F423F(0~999999)low word	R/W
002E	BATCH	Batch,Input Range 00000001~000F423F(1~999999)high word	R/W
002F		Batch,Input Range 00000001~000F423F(1~999999)low word	R/W
0030	AL_R	Rate Alarm,Input Range 00000000~0001869F(0~99999)high word	R/W
0031		Rate Alarm,Input Range 00000000~0001869F(0~99999)low word	R/W
0036	T_ANLO	Total ANLO,Input Range 0000000000000000~00000002540BE3FF(0~999999999)highest word	R/W
0037		Total ANLO,Input Range 0000000000000000~00000002540BE3FF(0~999999999)	R/W
0038		Total ANLO,Input Range 0000000000000000~00000002540BE3FF(0~999999999)	R/W
0039		Total ANLO,Input Range 0000000000000000~00000002540BE3FF(0~999999999)lowest word	R/W
003A	T_ANHI	Total ANHI,Input Range 0000000000000000~00000002540BE3FF(0~999999999)highest word	R/W
003B		Total ANHI,Input Range 0000000000000000~00000002540BE3FF(0~999999999)	R/W
003C		Total ANHI,Input Range 0000000000000000~00000002540BE3FF(0~999999999)	R/W
003D		Total ANHI,Input Range 0000000000000000~00000002540BE3FF(0~999999999)lowest word	R/W
003E	AL_T	Totalizer Alarm,Range 0000000000000000~00000002540BE3FF(0~999999999)highest word	R/W
003F		Totalizer Alarm,Input Range 0000000000000000~00000002540BE3FF(0~999999999)	R/W
0040		Totalizer Alarm,Input Range 0000000000000000~00000002540BE3FF(0~999999999)	R/W
0041		Totalizer Alarm,Range 0000000000000000~00000002540BE3FF(0~999999999)lowest word	R/W
0042	DISPLAY_RATE	Rate display range 00000000~0001869F(0~99999)high word	R
0043		Rate display range 00000000~0001869F(0~99999)low word	R
0044	DISPLAY_BATCH	Batch display range 00000000~000F423F(0~999999)high word	R
0045		Batch display range 00000000~000F423F(0~999999)low word	R
0046	DISPLAY_TOTAL	Totalizer display range 0000000000000000~00000002540BE3FF(0~999999999)highest word	R
0047		Totalizer display range 0000000000000000~00000002540BE3FF(0~999999999)	R
0048		Totalizer display range 0000000000000000~00000002540BE3FF(0~999999999)	R
0049		Totalizer display range 0000000000000000~00000002540BE3FF(0~999999999)lowest word	R
004A	STATUS	Alarm output status,Display range 0000~001F(0~31) Bit0:AL-T, Bit1:OUT2, Bit2:OUT1,Bit3:AL-R, Bit4:RUN=1 / STOP=0	R
004B	BATCH_RESET	Write = 0001(Function 06),Reset batch count(If B_O_M = 0)	W
004C	P_FREQ	Pulse Output Frequency,Input Range 0000~0005(0~5)(0:1,1:5,2:10,3:25,4:50,5:100)	R/W