

AC POWER FACTOR(COS θ) TRANSDUCER

MODEL
PPF



■ FEATURES

- Accuracy 0.25%F.S.±0.25°
- Wide selection of input/output range
- Dielectric strength 2KVac/1min. (input/output/power)
- Impulse test 5KV(1.2x50us)(IEC255-4,ANSI C37.90a/1974)
- Surge test (ring wave)2.5KV(0.25ms/1MHz) (IEC255-4)
- Dimension small and High stability

1.MODEL:PPF□ - □ □ □ - □ □ Dn

NO	Input Unit	NO	Voltage Range	NO	Current Range	NO	Frequency	NO	Output Range	NO	Output Range	NO	Aux.Power
1	1 ϕ 2W	1	0~120V	1	0~1A	A	50Hz	A	DC0~50mV	F	DC0~1mA	A	AC110/220V
3	3 ϕ 3W	2	0~240V	2	0~5A	B	60Hz	B	DC0~1V	G	DC0~10mA	B	AC/DC20~60V
4	3 ϕ 4W	3	0~400V	9	SPECIFIED	C	400Hz	C	DC1~5V (uni.)	H	DC0~20mA	C	AC/DC90~260V
9	SPECIFIED	9	SPECIFIED			O	SPECIFIED	D	DC0~10V	I	DC4~20mA (uni.)		•Less 4VA for AC/DC input
			•Voltage±30%			E	•Frequency±10%	E	DC2~10V (uni.)	R	SPECIFIED		

Note:1.uni.=uni-direction=0 to +span

•Calibration:Dn

•Unipolar output (as 0~10V,4~20mA,0~10mA)

•D1:0.5(C) to 1 to 0.5(L) vs

0 to 1/2 span to full span output

•D2:0(C) to 1 to 0(L) vs

0 to 1/2 span to full span output

Note:2.bi=bi-direction=-span to 0 to +span referring calibration

•Calibration:Dn

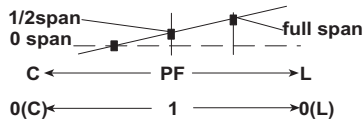
•Bipolar output (as ±1mA,±10mA,±10V)

•D3:0.5(C) to 1 to 0.5(L) vs

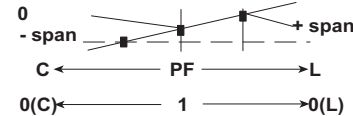
-span to 0 to +span output

•D4:0(C) to 1 to 0(L) vs

-span to 0 to +span output



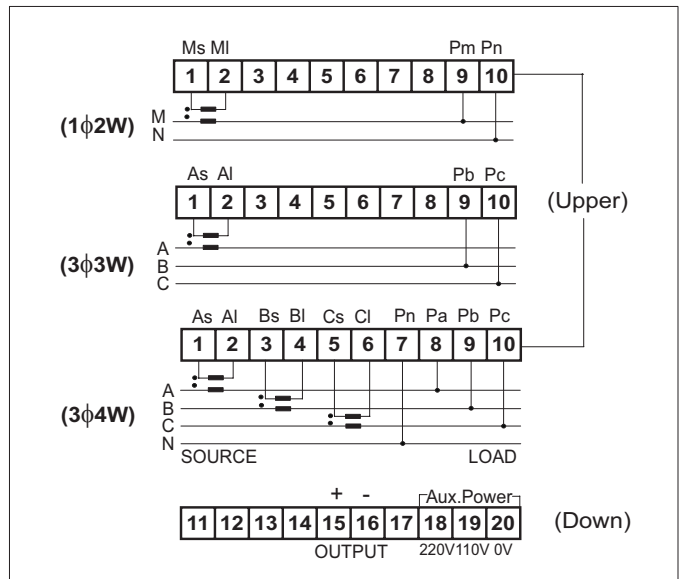
Note:(C):capacitive load
(L):inductive load



2.SPECIFICATION

- Measuring accuracy : 0.25% F.S.±0.25°(23±5°C)
- Input burden : <0.2VA (Voltage)
<0.2VA (Current)
- Maximum input over : Current related input: 3 x rated continuous
10 x rated 30 sec. 25 x rated 3sec.
50 x rated 1sec.
Voltage related input:maximum 2 x rated continuous
- Response time : < 250ms(0~90%)
- Output drive capability : < 10mA for voltage mode
< 10V for current mode
- Output ripple (p-p) : < 0.1% F.S.
- Zero (offset) range : 0~±5% F.S.
- Span (scale) range : 0~±10% F.S.
- Temp. coefficient : 100ppm/°C (0~50°C)
- Isolation : Input/Output/Power/Case
- Dielectric strength : 2KVac/1 min. (input/output/power/case)
- Impulse test : ANSI C37.90a/1974,DIN-IEC 255-4
impulse voltage 5KV (1.2 x 50us)
- Surge test(ring wave) : 2.5KV-0.25ms/1MHz(IEC255-4)
- Operating condition : -20~60°C (20 to 90% RH non-condensed)
- Storage condition : -30~70°C (20 to 90% RH non-condensed)
- CE EMC Certification : EN 55022:1998/A1:2000 Class A
EN 61000-3-2:2000
EN 61000-3-3:1995/A1:2001
EN 55024:1998/A1:2001

3.Terminal Connection



4.Dimension(unit:mm)

