

AC WATTHOUR & VARHOUR TRANSDUCER

**MODEL
PWH**



■ FEATURES

- Accuracy 0.25%F.S.
- Wide selection of input/output range
- Dielectric strength 2KVac/1min. (input/output/power)
- Impulse test 5KV(1.2x50us)(IEC255-4,ANSI C37.90a/1974)
- Surge test (ring wave)2.5KV(0.25ms/1MHz) (IEC255-4)
- Dimension small and High stability

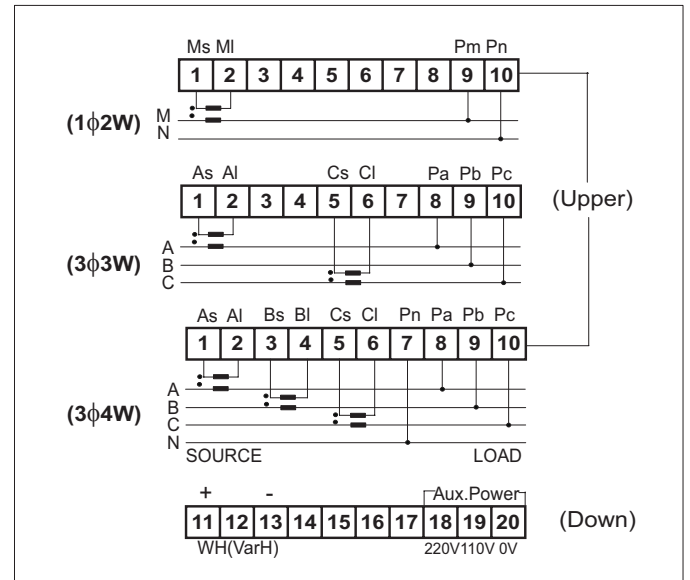
1. MODEL: PWH- - -

NO	Type	NO	Input Unit	NO	Voltage Range	NO	Current Range	NO	Frequency	NO	Output Pulse	NO	Aux. Power
W	WATT	1	1 ϕ 2W	1	0~120V	1	0~1A	A	50Hz	A	1wh or varh/count	A	AC110V/220V
V	VAR	3	3 ϕ 3W	2	0~240V	2	0~5A	B	60Hz	B	10wh or varh/count	B	AC/DC20~60V
		4	3 ϕ 4W	3	0~400V	9	SPECIFIED	C	400Hz	C	100wh or varh/count	C	AC/DC90~260V
		9	SPECIFIED	9	SPECIFIED			O	SPECIFIED	D	1000wh or varh/count		•Less 4VA for AC/DC input
					•Voltage \pm 30%				•Frequency \pm 10%	O	SPECIFIED		

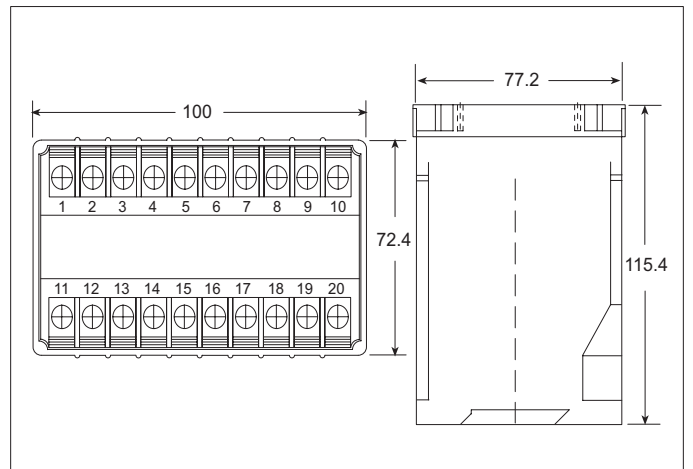
2. SPECIFICATION

- Measuring accuracy : 0.25% F.S.(23 \pm 5 $^{\circ}$ C)
- Input burden : <0.2VA (Voltage)
<0.2VA (Current)
- Maximum input over : Current related input: 3 x rated continuous
10 x rated 30 sec. 25 x rated 3sec.
50 x rated 1sec.
Voltage related input: maximum 2 x rated continuous
- Response time : < 250ms(0~90%)
- Pulse output type : Photocouple of open collector(max.30V/40mA)
- Zero (offset) range : 0~ \pm 5% F.S.
- Span (scale) range : 0~ \pm 10% F.S.
- Temp. coefficient : 100ppm/ $^{\circ}$ C (0~50 $^{\circ}$ C)
- Isolation : Input/Output/Power/Case
- Dielectric strength : 2KVac/1 min. (input/output/power/case)
- Impulse test : ANSI C37.90a/1974,DIN-IEC 255-4
impulse voltage 5KV (1.2 x 50us)
- Surge test(ring wave) : 2.5KV-0.25ms/1MHz(IEC255-4)
- Operating condition : -20~60 $^{\circ}$ C (20 to 90% RH non-condensed)
- Storage condition : -30~70 $^{\circ}$ C (20 to 90% RH non-condensed)
- CE EMC Certification : EN 55022:1998/A1:2000 Class A
EN 61000-3-2:2000
EN 61000-3-3:1995/A1:2001
EN 55024:1998/A1:2001

3. Terminal Connection



4. Dimension(unit:mm)



MODEL		Element connection	Standard analog calibration Watts or Vars					
WH	VarH		V=120V		V=240V		V=400V	
			1A	5A	1A	5A	1A	5A
PW1	PV1	1 ϕ 2W	100	500	200	1K	400	2K
PW3	PV3	3 ϕ 3W	200	1K	400	2K	800	4K
PW4	PV4	3 ϕ 4W	300	1.5K	600	3K	1.2K	6K