

# 轉子式流量計

( PADDLEWHEEL FLOW SENSOR)

MODEL  
SL



RoHS

## ■特點(FEATURES)

- 精確度 $\pm 0.75\%$ 滿刻度 (Accuracy $\pm 0.75\%$  of full scale)
- 量測管徑範圍15至600mm(0.5至24英寸)(Measuring pipe size range DN 15 to DN 600(0.5 to 24 inch.))
- 量測流速範圍0.1至8米/秒(0.33至26英尺/秒)(Measuring flow velocity range 0.1 to 8 M/s(0.33 to 26 Ft/s))
- 寬範圍電源輸入,直流5至24伏特(Field-rangable supply voltage from DC 5 to 24 V)
- 寬工作溫度範圍(-20至90°C/-4至194°F)  
(Field-rangable operating temperature from -20 to 90°C (-4 to 194°F))
- 防護等級NEMA4(IP65)或NEMA6,6P(IP68)(Protection class NEMA4(IP65) or NEMA6,6P(IP68))
- CE認證(CE EMC certification)

## 1.MODEL:SL-□□□□

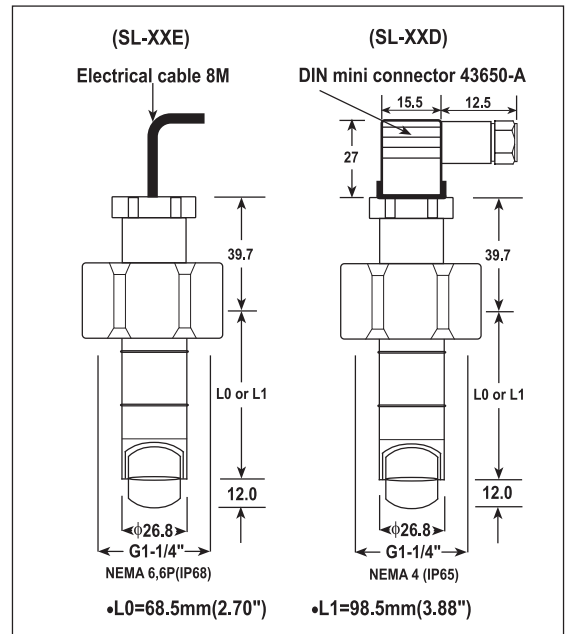
(選購型號)

NO	Sensor body (Operating Temperature)	NO	Sensor Length	NO	Electrical Connection/Protection Class	NO	O-rings
P	Polypropylene(-10~+85°C)	0	68.5mm(L0)	D	DIN mini-connection 43650-A/IP65	F	FKM(viton)(全氟化橡膠)
V	Natural PVDF(-20~+90°C)	1	98.5mm(L1)	E	Electrical cable 8M/IP68	V	VMQ(丁基橡膠)
			•L0(0.5 to 3 in)•L1(4 to 24 in)	S	Electrical cable(customer)/IP68		

## 2.SPICIFICATION (主要規格)

- Supply voltage input (工作電壓輸入) : DC 5 to 24V $\pm 5\%$ ( $<5mA$ )
- Measuring accuracy (精確度) :  $\pm 0.75\%$  of full scale
- Repeatability (重現性) :  $\pm 0.5\%$  of full scale
- Pipe size range (適用管徑範圍) : 0.5 to 4 inch(DN15 to DN100)(L0)  
6 to 24 inch(DN150 to DN600)(L1)
- Output frequency (輸出頻率) : 60.5Hz per m/s nominal, 18.45Hz per ft/s nominal
- Pulse output type (脈波輸出型態) : Transistor NPN open-collector( $<30mA$ )
- Sensor body material (感應器本體材質) : Polypropylene or Natural PVDF
- Rotor material (轉子材料) : PFA + Magnetic
- Shaft and bearings material (軸心與軸承材料) : Zirconia ceramic(ZrO<sub>2</sub>)
- O-rings material (密封材料) : FKM(viton) or VMQ
- Electrical connection (電氣接頭/接線) : DIN mini-connector 43650-A(IP65)  
Electrical cable(IP68)
- Cable type (纜線規格) : 3 conductor + shield, 26AWG, PVC(105°C)
- Reverse voltage protection (逆向電壓保護) : Included as standard
- Measuring kinematic viscosity range (量測動態黏度範圍) : 0.5 to 20 centi stokes (cst)
- Maximum particle matter (最大雜質顆粒容許) :  $<10\%$  with particle size( $<0.5mm^2$  cross section or length)
- Maximum operating pressure/temperature (最高使用溫度與壓力) : PP body (180 psi@-20 to 27°C, 25 psi@80°C)  
PVDF body (200 psi@-30 to 27°C, 36 psi@90°C)
- Storage condition (存放環境條件) : PP body (-30 to 90°C)  
PVDF body (-30 to 100°C)
- CE EMC Certification (CE 認證) : EN 55022:1998/A1:2000 Class A  
EN 61000-3-2:2000  
EN 61000-3-3:1995/A1:2001  
EN 55024:1998/A1:2001

## 3.DIMENSION(unit:mm) (外型尺寸)



## 4.TERMINAL CONNECTION (接線圖)

