

# 轉子式流量計用各式安裝座

( FITTING FOR PADDLEWHEEL FLOW SENSOR )

## ■ 三通安裝座 [CPVC TEE FITTING (SCH80)]

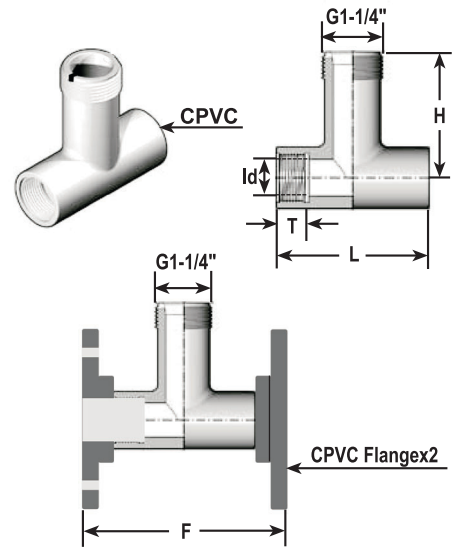
MODEL:SLTF -

(選購型號)

Type	NO	Size	DN	Id	L	T	H	F	Sensor
A Tee fitting +ANSI 150 PSI Flange	10	1"	25	28	102	29	79	164	L0
	12	1-1/4"	30	35	115.5	32	83		L0
J Tee fitting +JIS 10K PSI Flange	15	1-1/2"	40	43	128	35	83	204	L0
	20	2"	50	54	145.5	38	91.5	221.5	L0
T Tee fitting	25	2-1/2"	65	65	171	45	98.5	261	L0
	30	3"	80	80	196	45	110	286	L0
•CPVC tee fitting for ASTM SCH80 pipes	40	4"	100	100	237.5	57	126	333.5	L0

•Operating temperature:  
-22~+212°F(-30~+100°C)

•Unit:mm



## ■ 鞍型安裝座 [CPVC+PP CLAMP SADDLES (SCH80)]

MODEL:SLCS -

(選購型號)

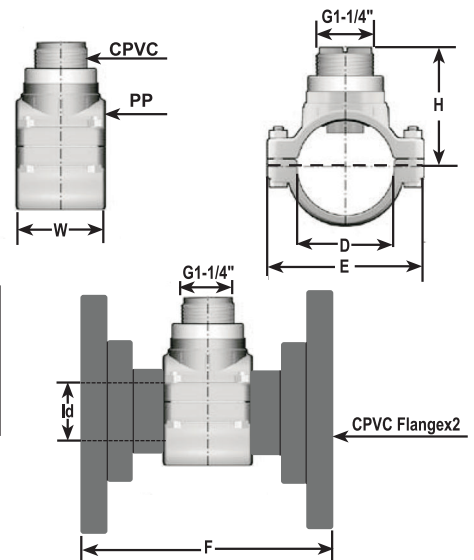
NO	Type	NO	Size	DN	Id	D	E	W	H	F	Sensor
A CPVC+PP Clamp Saddles +ANSI 150PSI Flange(CPVC)		20	2"	50	48.59	63	108	79	78	171	L0
		25	2-1/2"	65	58.17	75	117	88	81.5	173	L0
C CPVC+PP Clamp Saddles		30	3"	80	72.75	90	130	98	90	194	L0
J CPVC+PP Clamp Saddles +JIS 10K Flange(CPVC)		40	4"	100	96.16	110	158	95	100.5	193	L0
		60	6"	150	145.01	160	215	116	127	214	L1

•Unit:mm

•Operating temperature:-22~+212°F(-30~+100°C)

•Note1:SUS304 Bolt and Nut for PP Clamp Saddles

•Note2:SLCS-CXX(Drilling hole=40mm)



## ■ CPVC焊接管座 [ CPVC GLUE-ON ADAPTERS]

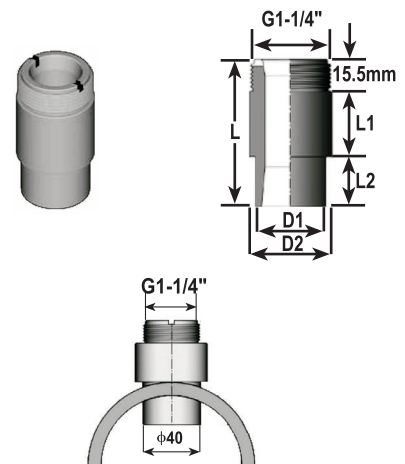
MODEL:SLPG -

(選購型號)

NO	PIPE SIZE(DN)	L	L1	L2	D1	D2	Drilling Hole	Sensor Length
L0	0.5"~4"(15~100)	68.5	43.5	9.5	40	50	40	L0
L1	6"~24"(150~600)	98.5	51	32	40	50	40	L1

•Unit:mm

•Operating temperature:-22~+212°F(-30~+100°C)



## ■ CPVC膠合劑 [ CPVC SOLVENT CEMENT]

MODEL:SLC [Unit:1 Pint/case=0.125 Gallon/case(Cement color=Gray)]

(選購型號) [單位:1 品脫/瓶=0.125 加侖/瓶(膠合顏色為淺灰色)]