

# TEMPERATURE & HUMIDITY SIGNAL TRANSMITTER (SUS 304 PROB)

**MODEL  
STH-2**



## ■ FEATURES

- Accuracy  $\pm 0.15^{\circ}\text{C}$  (Temperature),  $\pm 1\%$  RH (Humidity)
- Measuring  $-40 \sim +80^{\circ}\text{C}$  (Temperature),  $0 \sim 100\%$  RH (Humidity)
- Response time within 20 second (0~90% at 1.0M/s air flow)
- Field-rangeable supply voltage from DC10 to 28V
- Suitable for corrosion resistant (acidic and alkaline environments)
- Two 12 DAC analog output function (option)
- Digit RS-485 interface function (option)
- Double waterproof treatment
- Protection class NEMA 4/IP65

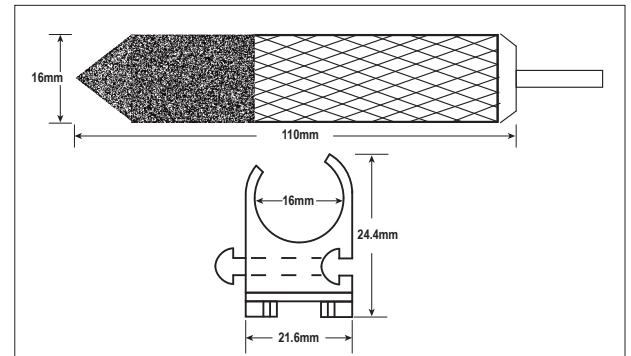
1. MODEL: STH2-

NO	Temperature/Humidity input type	NO	Output Type	NO	Output Cable Length
1	0~50°C/0~100%RH	V	DC1~5Vx2	A	1.8M(standard)
2	0~80°C/0~100%RH	R	RS-485	B	Customer specified
3	-20~80°C/0~100%RH	O	SPECIFIED		*4 cond.+shield #28AWG, PVC
4	-40~80°C/0~100%RH				
9	SPECIFIED				

## 2. SPECIFICATION

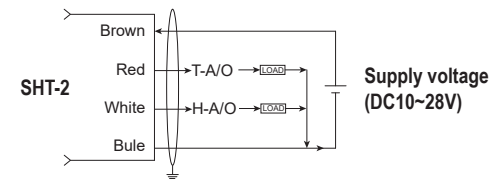
- Supply voltage : DC10~28V (<25mA) (Analog output)  
DC10~28V (<10mA) (RS-485 output)
- Measuring accuracy (23 $\pm$ 5°C) :  $\pm 1\%$  RH (10~80% RH) (Humidity)  
 $\pm 1.5\%$  RH (10~90% RH) (Humidity)  
 $\pm 2\%$  RH (0~10% RH & 90~100% RH) (Humidity)  
 $\pm 0.15^{\circ}\text{C}$  (0~+50°C) (Temperature)  
 $\pm 0.3^{\circ}\text{C}$  (-40~0°C & +50~+80°C) (Temperature)
- Response time : 20 second (0~90% at 1M/s air flow)
- Output load capability : <10mA for voltage output mode
- Output ripple : <0.05% F.S.
- RS-485 address : "00" ~ "FF" (0~255)
- RS-485 baud rate : 38400/19200/9600/4800/2400 selective
- RS-485 protocol : Modbus RTU mode
- Repeatability :  $\pm 0.04\%$  RH (Humidity)  
 $\pm 0.08\%$  RH (Temperature)
- Long-term drift :  $\pm 0.2\%$  RH/Year (Humidity)  
 $\pm 0.03^{\circ}\text{C}/\text{Year}$  (Temperature)
- Dielectric strength : 2KVac/1 min. (output/case)
- Operating Storage temperature : -40~80°C (0 to 100% RH non-condensed)
- Case materials : PE (Ontolog)  
Stainless steel I.430I (SUS304) (Filter Probe)  
NYLON 66 fire rating 94V-2 (cable gland)
- Construction : PE material clip-on mount
- CE EMC Certification : EN 55022:1998/A1:2000 Class A  
EN 61000-3-2:2000  
EN 61000-3-3:1995/A1:2001  
EN 55024:1998/A1:2001

## 3. DIMENSION AND MOUNT (unit:mm)

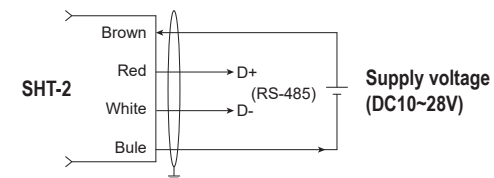


## 4. TERMINAL CONNECTION

### • Analog output type (DC1~5V)

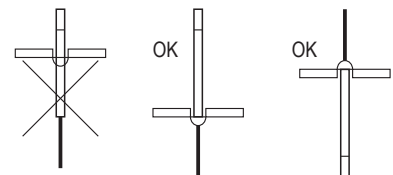


### • RS-485 output type



## 5. INSTALLATION METHOD

### • Installation in the air



### • Installation in pipe

