

# SLIM TYPE POTENTIOMETER ISOLATED TRANSMITTER )

MODEL  
STK



## ■ FEATURES

- Accuracy 0.1%F.S.
- Wide input range from 200 ohm to 50K ohm
- Wide selection of input/output range
- Dielectric strength 1.5KVac/1 min.(input/output)
- Wide input range for auxiliary power
- Dimension small & High stability

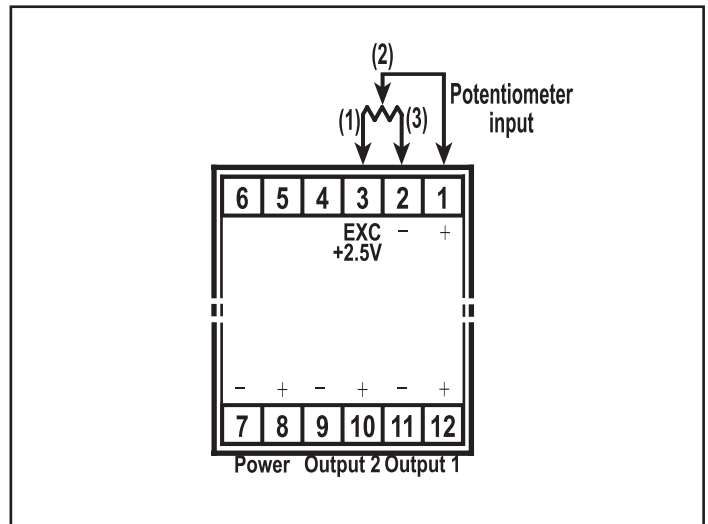
## 1.MODEL:STK-□ □ □ □

NO	Input Range	NO	Input Range	NO	Output 1 Range	NO	Output 2 Range	NO	Aux. Power
1	0~10%	6	5~95%	C	1~5V	N	None	A	AC/DC 18~60V
2	0~25%	7	0~100%	D	0~10V	C	1~5V	B	AC/DC 90~260V
3	0~50%	9	SPECIFIED	F	0~1mA	D	0~10V		• Less 4VA for AC/DC input
4	0~90%		• Exciting Voltage DC2.5V(<12.5mA)	I	4~20mA	I	4~20mA		
5	10~90%			R	SPECIFIED	R	SPECIFIED		

## 2.SPCIFICATION

- Measuring accuracy : 0.1% F.S. (23±5°C)
- Exciting voltage(current): 2.5VDC(<12.5mA)
- Response time : <250ms (0~90%)
- Output drive capability : <10mA for voltage mode  
<10V for current mode
- Output ripple(p-p) : <0.1% F.S.
- Zero (offset) range : 0~±5% F.S.
- Span (scale) range : 0~±10% F.S.
- Temp. coefficient : 100ppm/°C (0~50°C)
- Isolation : Input/Output1/Output2/Power/Case
- Insulation Resistance : >100M ohm with 500V DC
- Dielectric strength : 1.5KVac/1 min. (input/Output1/Output2/power)  
1200Vdc (input/Output1/Output2)
- Operating condition : 0~60°C (20 to 90% RH non-condensed)
- Storage condition : 0~70°C (20 to 90% RH non-condensed)
- Construction : 35mm DIN rail (EN50022)
- CE EMC Certification : EN 55022:1998/A1:2000 Class A  
EN 61000-3-2:2000  
EN 61000-3-3:1995/A1:2001  
EN 55024:1998/A1:2001

## 3.TERMINAL CONNECTION



## 4.DIMENSION (unit:mm)

