

SLIM TYPE LOAD-CELL ISOLATED TRANSMITTER)

MODEL
STL



FEATURES

- Accuracy 0.1%F.S.
- Wide selection of input/output range
- Dielectric strength 1.5KVac/1 min.(input/output1/output2)
- Wide input range for auxiliary power
- Dimension small & High stability

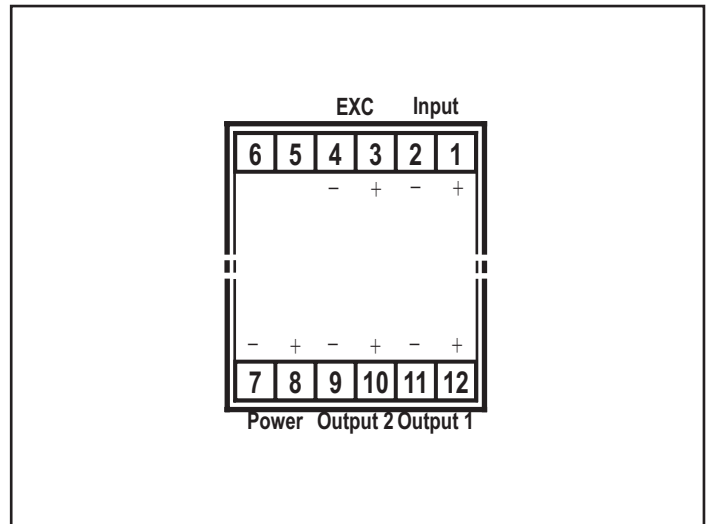
1.MODEL:STL-□□□□

NO	Input Range	NO	Exciting Voltage	NO	Output 1 Range	NO	Output 2 Range	NO	Aux. Power
1	1mV/1V	A	5V(<50mA)	C	1~5V	N	None	A	AC/DC 18~60V
2	1.5mV/V	B	10V(<50mA)	D	0~10V	C	1~5V	B	AC/DC 90~260V
3	2mV/V	C	12V(<50mA)	F	0~1mA	D	0~10V		•Less 4VA for AC/DC input
4	3mV/V	R	SPECIFIED	I	4~20mA	I	4~20mA		
9	SPECIFIED			R	SPECIFIED	R	SPECIFIED		

2.SPCIFICATION

- Measuring accuracy : 0.1% F.S. (23±5°C)
- Exciting voltage : 5V±3% (<50mA)
10V±3% (<50mA)
12V±3% (<50mA)
- Response time : <250ms (0~90%)
- Output drive capability : <10mA for voltage mode
<10V for current mode
- Output ripple(p-p) : <0.1% F.S.
- Zero (offset) range : 0~±20% F.S.
- Span (scale) range : 0~±10% F.S.
- Temp. coefficient : 100ppm/°C (0~50°C)
- Isolation : Input/Output1/Output2/Power/Case
- Insulation Resistance : >100M ohm with 500V DC
- Dielectric strength : 1.5KVac/1 min. (input/Output1/Output2/power)
1200Vdc (input/Output1/Output2)
- Operating condition : 0~60°C (20 to 90% RH non-condensed)
- Storage condition : 0~70°C (20 to 90% RH non-condensed)
- Construction : 35mm DIN rail (EN50022)
- CE EMC Certification : EN 55022:1998/A1:2000 Class A
EN 61000-3-2:2000
EN 61000-3-3:1995/A1:2001
EN 55024:1998/A1:2001

3.TERMINAL CONNECTION



4.DIMENSION (unit:mm)

