

DC SIGNAL ISOLATED TRANSMITTER

MODEL
TD



FEATURES

- Accuracy 0.1%F.S.
- Wide selection of input/output range
- Dielectric strength 2KVac/1 min.(input/output)
- Wide input range for auxiliary power
- Dimension small & High stability

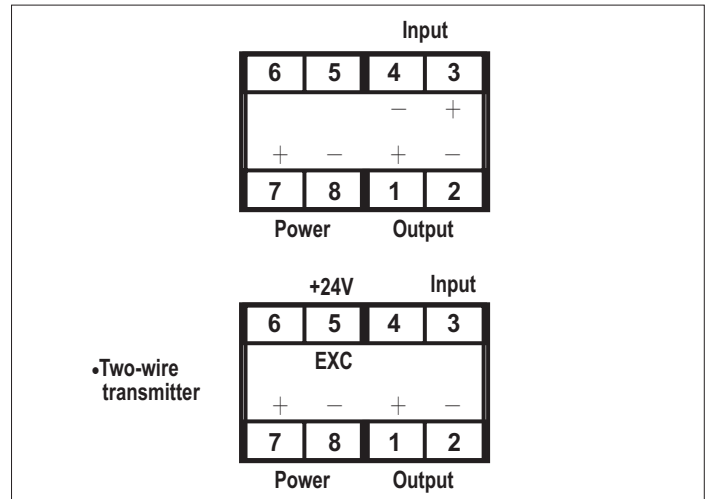
1.MODEL:TD-□□ □□

NO	Input Range	NO	Input Range	NO	Input Range	NO	Input Range	NO	Output Range	NO	Output Range	NO	Aux. Power
10	0~10mV	15	0~10V	20	0~1mA	25	• 4~20mA	A	0~50mV	F	0~1mA	A	AC/DC 18~60V
11	0~50mV	16	2~10V	21	0~10mA	29	SPECIFIED	B	0~1V	G	0~10mA	B	AC/DC 90~260V
12	0~1V	17	-10~+10V	22	0~20mA	• Exciting DC24V(<25mA) (two-wire transmitter)	C	1~5V	H	0~20mA	C	AC110V(50/60Hz)±20%	
13	0~5V	18	0~100V	23	4~20mA		D	0~10V	I	4~20mA	D	AC220V(50/60Hz)±20%	
14	1~5V	19	0~200V	24	10~50mA		E	2~10V	R	SPECIFIED		• Less 3VA for AC/DC input	

2.SPCIFICATION

- Measuring accuracy : 0.1% F.S. (23±5°C)
- Input resistance : >100Mohm (<2V range)
>2Mohm (>2V range)
<100 ohm (current input)
- Maximum input : <600Vrms (>2V ranges)
<150Vrms (<2V ranges)
<150mA (current ranges)
- Response time : <250ms (0~90%)
- Output drive capability : <10mA for voltage mode
<10V for current mode
- Output ripple(p-p) : <0.1% F.S.
- Zero (offset) range : 0~±5% F.S.
- Span (scale) range : 0~±10% F.S.
- Temp. coefficient : 100ppm/°C (0~50°C)
- Isolation : Input/Output/Power/Case
- Insulation Resistance : >100M ohm with 500V DC
- Dielectric strength : 2KVac/1 min. (input/output/power)
1600Vdc (input/output)
- Operating condition : 0~60°C (20 to 90% RH non-condensed)
- Storage condition : 0~70°C (20 to 90% RH non-condensed)
- Construction : Socket/plugin type with barrier terminals
- CE EMC Certification : EN 55022:1998/A1:2000 Class A
EN 61000-3-2:2000
EN 61000-3-3:1995/A1:2001
EN 55024:1998/A1:2001

3.TERMINAL CONNECTION



4.DIMENSION(unit:mm)

