

POTENTIOMETER ISOLATED TRANSMITTER)

MODEL
TK



■ FEATURES

- Accuracy 0.1% F.S.
- Wide input ranges from 200ohm to 50Kohm
- Wide selection of input/output range
- Dielectric strength 2KVac/1 min.(input/output)
- Wide input range for auxiliary power
- Dimension small and High stability

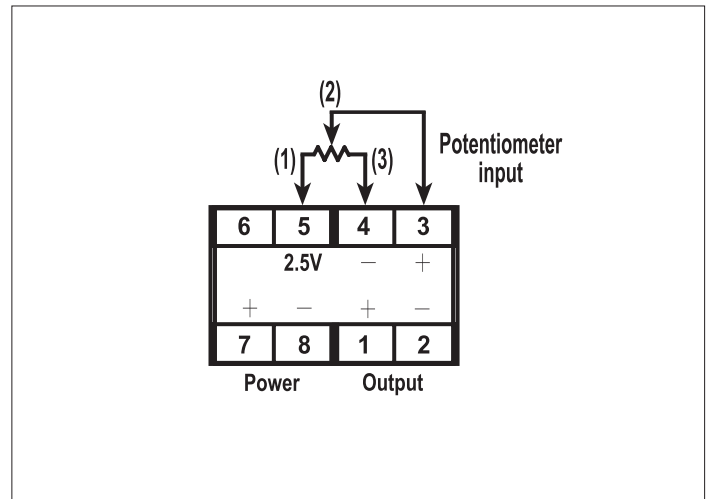
1.MODEL:TK-□ □ □

NO	Input Range	NO	Input Range	NO	Input Range	NO	Output Range	NO	Output Range	NO	Output Range	NO	Aux. Power	
1	0~10%	4	0~90%	7	0~100%	A	0~50mV	E	2~10V	I	4~20mA	A	AC/DC 18~60V	
2	0~25%	5	10~90%	9	SPECIFIED	B	0~1V	F	0~1mA	R	SPECIFIED	B	AC/DC 90~260V	
3	0~50%	6	5~95%			C	1~5V	G	0~10mA			C	AC110V(50/60Hz)±20%	
•Exciting Voltage 2.5VDC(<12.5mA)												D	AC220V(50/60Hz)±20%	
													•Less 3VA for AC/DC input	

2.SPECIFICATION

- Measuring accuracy : 0.1% F.S. (23±5°C)
- Exciting voltage(current): 2.5VDC(<12.5mA)
- Response time : <250ms (0~90%)
- Output drive capability : <10mA for voltage mode
<10V for current mode
- Output ripple(p-p) : <0.1% F.S.
- Zero (offset) range : 0~±5% F.S.
- Span (scale) range : 0~±10% F.S.
- Temp. coefficient : 100ppm/°C (0~50°C)
- Isolation : Input/Output/Power/Case
- Insulation Resistance : >100M ohm with 500V DC
- Dielectric strength : 2KVac/1 min. (input/output/power)
1600Vdc (input/output)
- Operating condition : 0~60°C (20 to 90% RH non-condensed)
- Storage condition : 0~70°C (20 to 90% RH non-condensed)
- Construction : Socket/plugin type with barrier terminals
- CE EMC Certification : EN 55022:1998/A1:2000 Class A
EN 61000-3-2:2000
EN 61000-3-3:1995/A1:2001
EN 55024:1998/A1:2001

3.TERMINAL CONNECTION



4.DIMENSION(unit:mm)

