

(DC SIGNAL ISOLATED TRANSMITTER)

MODEL
TD



(FEATURES)

- (Accuracy 0.1%F.S.)
- (Wide selection of input/output range)
- (Dielectric strength 2KVac/1 min.(input/output))
- (Wide input range for auxiliary power)
- (Dimension small & High stability)

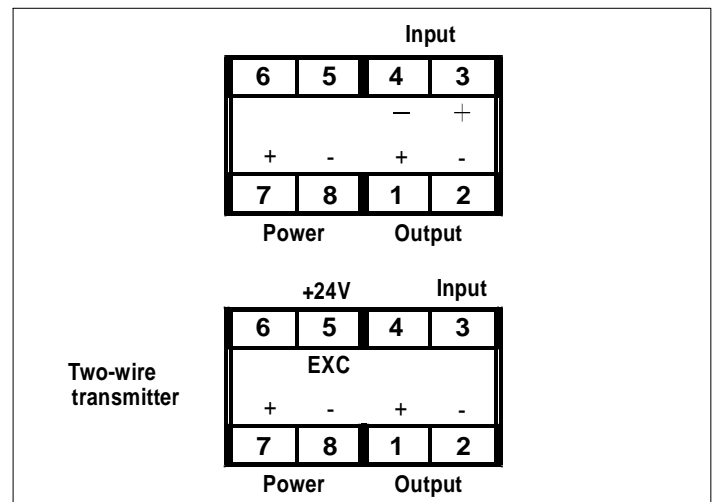
1.MODEL:TD-

NO	Input Range	NO	Input Range	NO	Input Range	NO	Input Range	NO	Output Range	NO	Output Range	NO	Aux. Power
10	0~10mV	15	0~10V	20	0~1mA	25	4~20mA	A	0~50mV	F	0~1mA	A	AC/DC 18~60V
11	0~50mV	16	2~10V	21	0~10mA	29	SPECIFIED	B	0~1V	G	0~10mA	B	AC/DC 90~260V
12	0~1V	17	-10~+10V	22	0~20mA	Exciting DC24V(<25mA) (two-wire transmitter)	C	1~5V	H	0~20mA	C	C	AC110V(50/60Hz)
13	0~5V	18	0~100V	23	4~20mA		D	0~10V	I	4~20mA	D	D	AC220V(50/60Hz)
14	1~5V	19	0~200V	24	10~50mA		E	2~10V	R	SPECIFIED			Less 3VA for AC/DC input

2.SPCIFICATION

- Measuring accuracy : 0.1% F.S. (23 ± 5)
- Input resistance : >100Mohm (<2V range)
>1Mohm (>2V range)
- Maximum input : <300Vrms (>2V ranges)
<150Vrms (<2V ranges)
<150mA (current ranges)
- Response time : <250ms (0-90%)
- Output drive capability : <10mA for voltage mode
<10V for current mode
- Output ripple(p-p) : <0.1% F.S.
- Zero (offset) range : 0- ± 5% F.S.
- Span (scale) range : 0- ± 10% F.S.
- Temp. coefficient : 100ppm/ (0-50)
- Isolation : Input/Output/Power/Case
- Insulation Resistance : >100Mohm with 500V DC
- Dielectric strength : 2KVac/1 min. (input/output/power)
1600Vdc (input/output)
- Operating condition : 0-60 (20 to 90% RH non-condensed)
- Storage condition : 0-70 (20 to 90% RH non-condensed)
- Construction : Socket/plugin type with barrier terminals
- CE EMC Certification : EN 55022:1998/A1:2000 Class A
EN 61000-3-2:2000
EN 61000-3-3:1995/A1:2001
EN 55024:1998/A1:2001

3.TERMINAL CONNECTION



4.DIMENSION(unit:mm)

