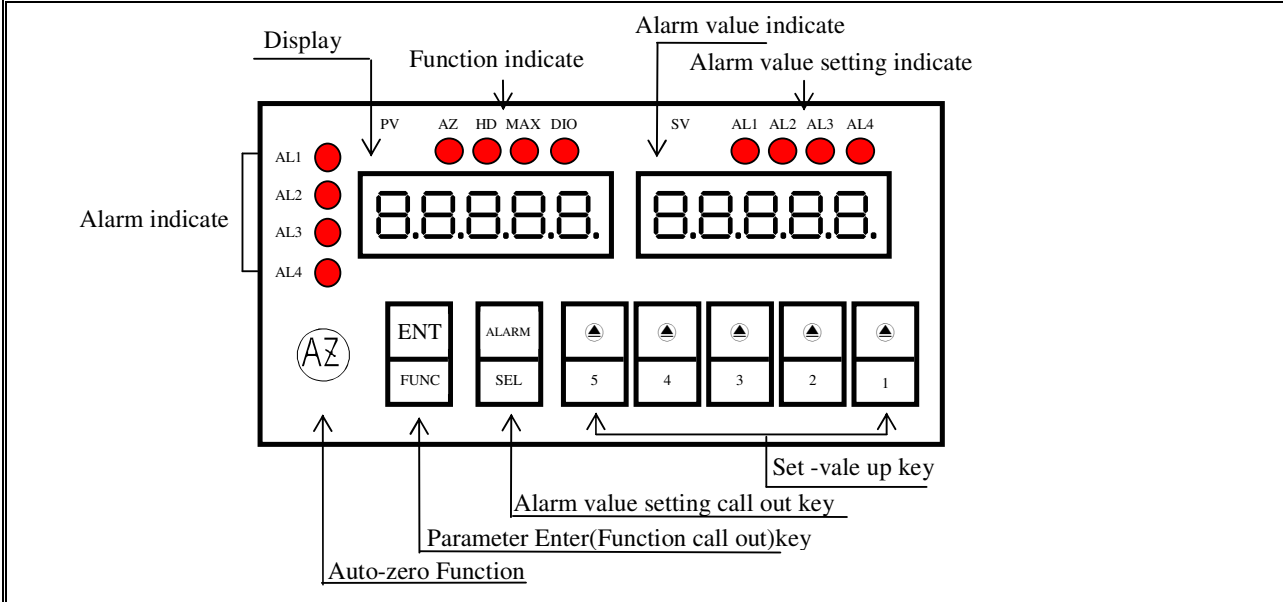


AXE MICROPROCESS PANEL CONTROLLER METER (DISPLAY 0.4'') MM2S Series

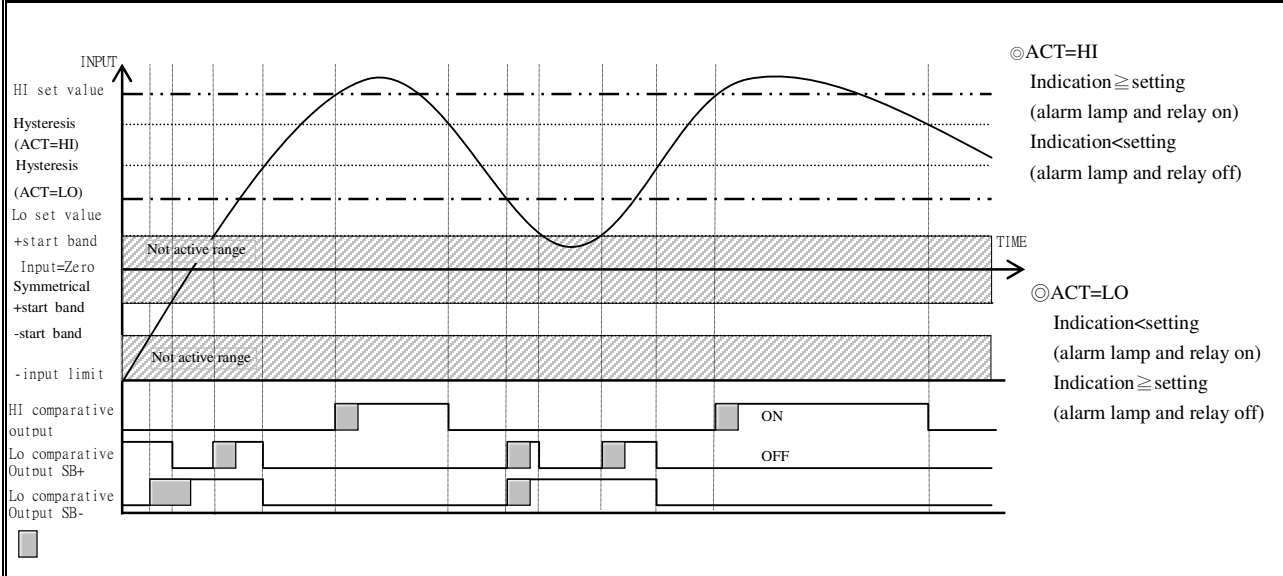
■ Features

- ⊙ Measuring DCA/DCV/ACA/ACV/Potentiometer/Pt-100/ Transmitter/Load Cell/Resistor...etc
- ⊙ Accuracy 0.1% F.S.±1 digit
- ⊙ Display range -19999~19999 can be modified
- ⊙ Decimal point can be modified
- ⊙ Display value can Auto-zero and Hold function
- ⊙ Display value can Max. hold function
- ⊙ 4 Alarm function
- ⊙ Display average can be modified(1~99)
- ⊙ 15BIT DAC analog output can be modified
- ⊙ RS485communication interface,Protocol MODBUS RTU MODE
- ⊙ BAUD RATE:19200/9600/4800/2400
- ⊙ 0.56" highlight display
- ⊙ Man-machine interface ,easy to operate
- ⊙ EEPROM Saving,data safekeeping about 10 years
- ⊙ Modified inside parameter,must have pass code
- ⊙ Simulation push wheel digit switches,easy to operate

■ Name Of Parts



■ Alarm Function Diagram



■ Analog Output Function Jumper Table

Key Introduce	Operation Manual
⊕ Key Function	1. In normal display, The key function is call out setting group 2. In parameter setting page, The key function is data Enter , and goto next page
ALARM SEL Key Function	1. In normal display, The key function is change alarm value & alarm indicate display 2. Into setting group with alarm sel key can selection SYS->ROP->AOP->DOP.(key response 0.2Sec.)

Per digit ▲ Key Function	1.In normal display,according to alarm indicate press per digit ▲ key setting per alarm value 2.Into parameter setting page.If need modify data can press per digit ▲ key into setting produce,The parameter data will increment/decrement (key response about 0.2 sec)		
Digit 1&2 ▲ Key Function	In setting group or setting page press 1&2 ▲ key return normal display,but if in setting page the modify data will be lost		
No Key in anything	In setting group or setting page no key in anything about 2 minutes,return normal display		
Step	Parameter Mark Description	Parameter Mark	Operation Manual
1	Normal display	1 2 3 4 5	Press ④/FUNC key into P.COD setting page
2	P.COD(Pass code input page) Default=0	P. C O D	1.以 Key in 5 digit pass code with ◀&▶&⏏key 2.Press ④key,the pass code is right into setting group , otherwise return normal display
		0 0 0 0 0	
3	SYS(System setting group)	S Y S	1. Select setting group with ALARM SEL key 2. Press ④key into setting page of selection setting group
	ROP(Alarm setting group)	r o P	
	AOP(Analog output setting group)	A o P	
	DOP(Communication setting group)	d o P	
4	SYS(System setting group)	S Y S	Select setting group with ALARM SEL key, press ④key into DP setting page
4-1	DP(Decimal Point) Default=0	d P	1. Decide decimal point with digit 1 ▲key(0~4) 2. Press ④key enter data and into DSPL setting page
		0	
4-2	DSPL(Display Low Scale) Default=0	d S P L	1. Decide display low scale with ▲key (-19999~19999) 2. Press ④key enter data and into DSPH setting page
		0 0 0 0 0	
4-3	DSPH(Display High Scale) Default=19999	d S P H	1. Decide display high scale with ▲key (-19999~19999) 2. Press ④key enter data and into AVG setting page
		1 9 9 9 9	
4-4	AVG (Average) Default=1	A v G	1. Decide display Average times with 1~2 ▲key (1~99) 2. Press ④key enter data and into LCUT setting page
		0 0 0 0 1	
4-5	LCUT (Low Cut) Default=0	L C U T	1. Decide display low cut with 1~2 ▲key (0~99) 2. Press ④key enter data and into CODE setting page
		0 0 0 0 0	
4-6	CODE(Pass Code) Default=0	C o d E	1. Decide Pass code with ▲key (0~19999) 2. Press ④key enter data and into LOCK setting page
		0 0 0 0 0	
4-7	LOCK(Panel Lock) Default=NO	L o c k	1. Decide panel lock with DP1 ▲key (NO or YES) 2. Press ④key enter data and return SYS setting group
		n o	
4-8	SYS(System setting group)	S Y S	Press ALARM SEL key decide setting group, press ④key into setting group
5	ROP(Alarm setting group)	r o P	Press ALARM SEL key decide ROP setting group, press ④key into ACT1 setting page
5-1	ACT1(Alarm Active 1 setting page)Default=HI	A C T 1	1.Decide active 1 with 以 DP1 ▲Key(HI or LO) 2.Press ④key enter data and into ACT2 setting page
		H I	
5-2	ACT2(Alarm Active 2 setting page)Default=HI	A C T 2	1. Decide active 2 with 以 DP1 ▲Key (HI or LO) 2. Press ④key enter data and into ACT3 setting page
		H I	
5-3	ACT3(Alarm Active 3 setting page)Default=HI	A C T 3	1. Decide active 3 with 以 DP1 ▲Key (HI or LO) 2. Press ④key enter data and into ACT4 setting page
		H I	
5-4	ACT4(Alarm Active 4 setting page)Default=HI	A C T 4	1. Decide active 4 with 以 DP1 ▲Key (HI or LO) 2. Press ④key enter data and into HYS1 setting page
		H I	
5-5	HYS1(Alarm Hysteresis 1 setting page)Default=0	H Y S 1	1. Decide active 1 with DP1~3 ▲Key(0~999) 2. Press ④key enter data and into HYS2 setting page
		0 0 0 0 0	
5-6	HYS2(Alarm Hysteresis 2 Setting page) Default =0	H Y S 2	1. Decide active 2 with DP1~3 ▲Key(0~999)2. Press ④key enter data and into HYS3 setting page
		0 0 0 0 0	
5-7	HYS3(Alarm Hysteresis 3 setting page)Default=0	H Y S 3	1. Decide active 3 with DP1~3 ▲Key(0~999) 2. Press ④key enter data and into HYS4 setting page
		0 0 0 0 0	
5-8	HYS3(Alarm Hysteresis 3 setting page)Default=0	H Y S 4	1. Decide active 4 with DP1~3 ▲Key(0~999) (0~999) 2. Press ④key enter data and into DEL1 setting page
		0 0 0 0 0	
5-9	DEL1(Alarm Delay 1	d e l 1	1. Decide delay 1 with DP1~2 ▲key (0~99)

	setting page)Default=0	0 0 0 0	2. Press key enter data and into DEL2 setting page
5-10	DEL2(Alarm Delay 2 setting page)Default=0	DEL 2 0 0 0 0	1. Decide delay 2 with DP1~2 key (0~99) 2. Press key enter data and into DEL3 setting page
5-11	DEL3(Alarm Delay 3 setting page)Default=0	DEL 3 0 0 0 0	1. Decide delay 3 with DP1~2 key (0~99) 2. Press key enter data and into DEL4 setting page
5-12	DEL4(Alarm Delay 4 setting page)Default=0	DEL 4 0 0 0 0	1. Decide delay 4 with DP1~2 key (0~99) 2. Press key enter data and into SB setting page
5-13	SB(Start band) Default=0	S B 0 0 0 0	1. Decide start band with DP1~3&5 Key(-999~999) 2. Press key enter data and into SDT setting page
5-14	SDT(Start Delay Time) Default=0	S DT 0 0 0 0	1. Decide start band with DP1~2 Key(0~99) 2. Press key enter data and return ROP setting group
5-15	ROP(alarm setting group)	R O P	Press ALARM SEL key decode setting group,press key into ACT1 setting group
6	AOP(Analog output setting group)	R O P	Press ALARM SEL key decide AOP setting group , press key into ANLO setting page
6-1	ANLO(Analog Output Zero-According to Display) Default=0	R n L 0 0 0 0 0	1.Decide ANLO with pre digit key (-19999~19999) 2.Press key enter data and into ANHI setting page
6-2	ANHI(A/ O Span According to Display setting page) Default=0	R n H 1 1 9 9 9	1.Decide ANHI with pre digit key (-19999~19999) 2. Press key enter data and into AZERO setting page
6-3	AZERO(Analog Output Zero Adjust) Default=0	R P E r 0 0 0 0 0	1. Adjustment analog output zero with pre digit key (-19999~19999) 2. Press key enter data and into ASPAN setting page
6-4	ASPAN(Analog Output Span Adjust) Default=0	R S P R n 0 0 0 0	1. Adjustment analog output span with pre digit key (-19999~19999) 2. Press key enter data and return AOP setting group
6-5	AOP(Analog output setting group)	R O P	Decide ALARM SEL key decode setting group,Press key into ANLO setting page
7	DOP(Communication setting group)	d o P	Press ALARM SEL key decide DOP setting group ,press key into ADDR setting page
7-1	ADDR(Communication –Address setting page) Default=0	R d d r 0 0 0 0	1. Decide address with DP 1~3 key (0~255) 2. Press key enter data and into BAUD setting page
7-2	BAUD(Communication Baud Rate setting page)Value on Default=19200	b R U d 1 9 2 0	1. Decide baud rate wit DP1 key (19200,9600,4800,2400) 2. Press key enter data and into PARI setting page
7-3	PARI(Communication Parity Check setting page)Default=n82	P R r 1 n 8 2	1. Decide parity check with DP1 key(n82,n81,even,odd) 2.Press key enter data and return DOP setting group
7-4	DOP(Communication setting group)	d o P	Press ALARM SEL key decide DOP setting group ,press key into ADDR setting page
Step	Parameter mark description	Parameter mark	Operation manual
8-1	AL1 (Alarm value 1 setting page) Default=0	1 2 3 4 5 0 0 0 0	1.Press ALARM SEL key until AL1 indicate is light 2.Decide alarm 1 value with per digit key(-19999~19999) no key in any key 5 sec Auto save data
8-2	AL2 (Alarm value 2 setting page) Default=0	1 2 3 4 5 0 0 0 0	1.Press ALARM SEL key until AL2 indicate is light 2.Decide alarm 2 value with per digit key(-19999~19999) no key in any key 5 sec Auto save data
8-3	AL3 (Alarm value 3 setting page) Default=0	1 2 3 4 5 0 0 0 0	1.Press ALARM SEL key until AL3 indicate is light 2.Decide alarm 3 value with per digit key(-19999~19999) no key in any key 5 sec Auto save data
8-4	AL4 (Alarm value 4 setting page) Default=0	1 2 3 4 5 0 0 0 0	1.Press ALARM SEL key until AL4 indicate is light 2.Decide alarm 4 value with per digit key(-19999~19999) no key in any key 5 sec Auto save data
Appendix	Error Mark Description	Error Mark	Analyze & Description

1	Input over error detect	LOFL	Input signal over range(120%)
2	Input under error detect	-LOFL	Input signal under range(-20%)
3	Display over error detect	DOFL	Display over range(19999)
4	Display under error detect	-DOFL	Display under range(-19999)
5	A/D Converter error detect	ADER	1. Input signal over range (180%) 2. Inside circuit damage Please moving input signal if still display ADER,please contact us
6	EEPROM error detect	E-00	1. External interference when EEPROM read/write
		00	2. EEPROM write over 100 million times(guarantee 10 years)
		EES	Please power reset, if still display E-00,doing following step: 1. E-00 & No alternate display for inquire reset EEPROM 2. Decide Yes with DP1 key press return normal display 3. EEPROM was reset, Please follow step 1~10 set again

MM2S Modbus RTU Mode Protocol Address Map

Data format 16/32Bit, sign bit 8000~7FFF(-32768~32767)/80000000~7FFFFFFF(-2147483648~2147483647)

Address	Name	Description	Accept
0000	DP	DP, range 0000~0004(0~4)0:10 ⁰ , 1:10 ⁻¹ , 2:10 ⁻² , 3:10 ⁻³ , 4:10 ⁻⁴	R/W
0002	DSPL	DSPL, range B1E1~4E1F(-19999~19999)	R/W
0004	DSPH	DSPH, range B1E1~4E1F(-19999~19999)	R/W
0006	AVG	AVG, range 0001~0063(1~99)	R/W
0008	LCUT	LCUT, range 0000~0063(0~99)	R/W
000A	CODE	CODE, range 0000~4E1F(0~19999)	R/W
000C	HYS1	HYS1, range 0000~03E7(0~999)	R/W
000E	HYS2	HYS2, range 0000~03E7(0~999)	R/W
0010	HYS3	HYS3, range 0000~03E7(0~999)	R/W
0012	HYS4	HYS4, range 0000~03E7(0~999)	R/W
0014	DEL1	DEL1, range 0000~03E7(0~999)	R/W
0016	DEL2	DEL2, range 0000~03E7(0~999)	R/W
0018	DEL3	DEL3, range 0000~03E7(0~999)	R/W
001A	DEL4	DEL4, range 0000~03E7(0~999)	R/W
001C	SB	SB, range FC19~03E7(-999~999)	R/W
001E	SDT	SDT, range 0000~03E7(0~999)	R/W
0020	ANLO	ANLO, range B1E1~4E1F(-19999~19999)	R/W
0022	ANHI	ANHI, range B1E1~4E1F(-19999~19999)	R/W
0024	AZERO	AZERO, range D8F1~270F(-9999~9999)	R/W
0026	ASPAN	ASPAN, range D8F1~270F(-9999~9999)	R/W
0028	ADDR	ADDR, range 0000~00FF(0~255)	R/W
002A	BAUD	BAUD, range 0000~0003(0~3)0:19200, 1:9600, 2:4800, 3:2400	R/W
002C	PARI	PARI, range 0000~0003(0~3)0:N.8.2., 1:N.8.1., 2:EVEN, 3:ODD	R/W
002E	INLO	INLO, range 029F16~4EA4A8(171798~5153960)	R/W
0032	INHI	INHI, range 029F16~4EA4A8(171798~5153960)	R/W
0036	ACT	ACT, BIT0:ACT1, BIT1:ACT2, BIT2:ACT3, BIT3:ACT4(0:HI, 1:LO)	R/W
0038	AL1	AL1, range B1E1~4E1F(-19999~19999)	R/W
003A	AL2	AL2, range B1E1~4E1F(-19999~19999)	R/W
003C	AL3	AL3, range B1E1~4E1F(-19999~19999)	R/W
003E	AL4	AL4, range B1E1~4E1F(-19999~19999)	R/W
0040	STATUS	STATUS Bit0:LOCK, Bit1:AZ, Bit2:HOLD, Bit3:MAX 0:Disable 1:Enable	R
0042	AZ	AZ VALUE, range B1E1~4E1F(-19999~19999)	R
0044	HOLD	HOLD VALUE, range B1E1~4E1F(-19999~19999)	R
0046	MAX	MAX. VALUE, range B1E1~4E1F(-19999~19999)	R
0048	DISPLAY	DISPLAY, range B1E1~4E1F(-19999~19999)	R

