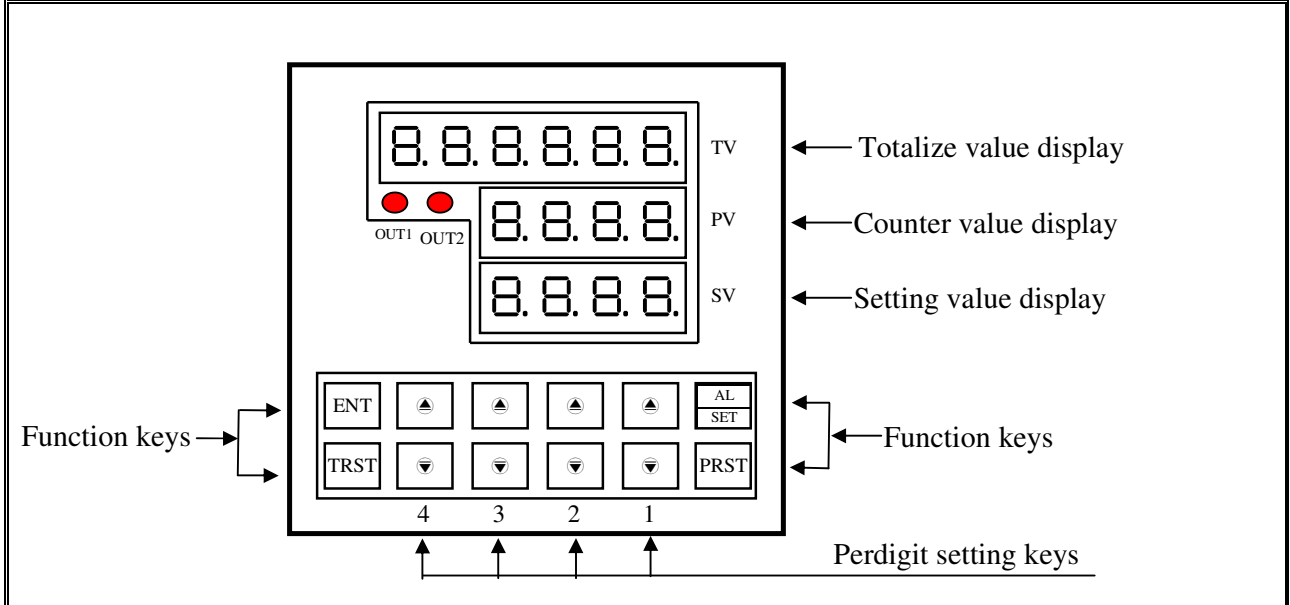


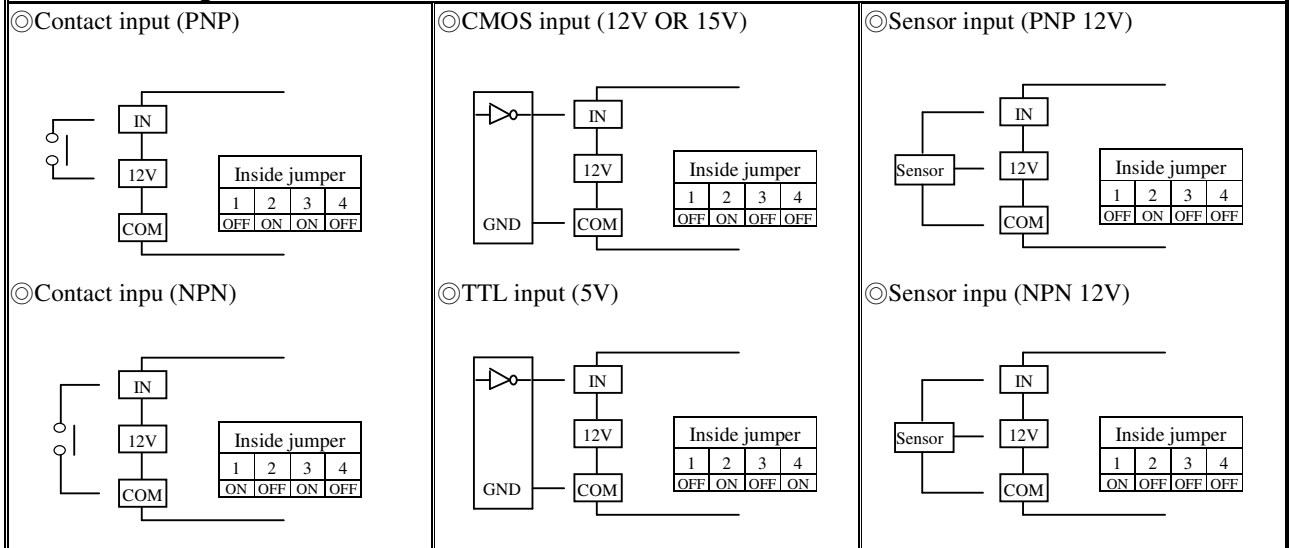
■ FEATURES

- ⊙ Accept more type sensors (switch, encoder, proximity switch, ... etc) finish length/flow control
- ⊙ Accept input rates up to 10KHz
- ⊙ Readout range (0~9999), Totalize range (0~999999)
- ⊙ Alarm output action times 0~99.9sec can be modified
- ⊙ Power down saving
- ⊙ Decimal point can be modified
- ⊙ Input scaling multiplied 0.001 to 9.999 can be modified
- ⊙ Totalizer counting mode can be modified (synchronize or un-synchronize)
- ⊙ N,R,C alarm control mode
- ⊙ 0.36" & 0.28" LED highlight display
- ⊙ Man-machine interface, easy to operate
- ⊙ EEPROM Saving, data safekeeping about 10 years
- ⊙ Modified inside parameter, must have pass code

■ Name of Parts



■ Connect Diagram



■ Alarm output control description

- ⊙ N(MANUAL): When count value equal setting value the relay ON & continue count until reset by panel or connect terminal then relay OFF & count value return to RST setting value
- ⊙ R(RETURN): When count value equal setting value the relay ON & continue count until relay action time out then relay OFF & count value return to RST setting value
- ⊙ C(CONTINUE): When count value equal setting value the relay ON & count value return to RST setting value then continue count & relay action time out the relay OFF
- ⊙ N/R/C control mode is one-alarm, N control mode is totalizer
- ⊙ MODE: SYN(one-alarm count and totalizer count is synchronize counting)
:NSYN(one-alarm count alarm once, totalize count on the increase)

Key Introduce		Operation Manual	
☺ Key Function	1. In normal display, The key function is call out setting group 2. In parameter setting page, The key function is data Enter , and go to next page		
PRST Key Function	1.The key function is one-alarm count value return zero and realy OFF		
TRST Key Function	1The key function is totalizer count value return zero and realy Off		
AL SET Key Function	1. In normal display, The key function is call out totalizer alarm value		
Per digital ▲&▼ key Function	1.In normal display according to alarm indicate press per digit ▲/▼ setting per alarm value 2.Into parameter setting page.If need modify data can press per digit ▲/▼ key Into setting procedure.The parameter data will increment/decrement (key response about 0.2 sec)		
Digital 1 ▲&▼key Function	In setting page press digit 1 ▲&▼ key return normal display,but if in setting Page the modify data will lost		
No Key in anything	In setting group or setting page no key in anything about 2 minutes, return normal display		
Step	Parameter mark description	Parameter mark	Operation manual
1	Normal display	1 2 3 4 5 6 1 2 3 4 1 2 3 4	Press ☺/FUNC key into P.COD setting page
2	P.COD(Pass code input page) Default=0	1 2 3 4 5 6 P.C o d 1 2 3 4	1. Key in 4 digit pass code with ▲&▲&▼key 2. Press ☺key, the pass code is right into setting group , otherwise return normal display
3	MODE(Count Mode) Default=SYN	1 2 3 4 5 6 n o d e 5 4 n	1.Decide the totalize count mode with 1 ▲ or ▼ key(SYN,NSYN) 2. Press☺key enter data and into PV.DP setting page
4	PV.DP(PV Decimal Point) Default= 0	1 2 3 4 5 6 P . d P 0 0 0 0	1.Decide PV,PP decimal point with digit 1 ▲&▼(0~3) 2. Press☺key enter data and into TV.DP setting page
5	TV.DP(TV Decimal Point) Default= 0	1 2 3 4 5 6 t . d P 0 0 0 0	1.Decide TV.DP decimal point with digit 1 ▲&▼(0~3) 2. Press☺key enter data and into SCAL setting page
6	SCAL(Scale) Default = 1.000	1 2 3 4 5 6 5 c r l 0 0 0 1	1.Decide display scale with per digit ▲&▼ key(0.001~9.999) 2. Press☺key enter data and into OP.MO setting page
7	OP.MO(Output Mode) Default= N	1 2 3 4 5 6 o p . n o n	1.decide output mode with digit 1 ▲&▼(N,R,C) 2. Press☺key enter data and into ACT setting page
8	ACT.(Active Time) Default = 1.0	1 2 3 4 5 6 A c t 0 0 0 1	1.Decode active time with digit 1~3 ▲&▼key(0.1~99.9sec) 2. Press☺key enter data and into CODE setting page
9	CODE(Code) Default = 0000	1 2 3 4 5 6 c o d e 0 0 0 0	1.Decide page code with per digit ▲&▼key (0~9999) 2. Press☺key enter data and into LOCK setting page
10	LOCK(Panel Lock) Default = NO	1 2 3 4 5 6 L o c k n o	1.Decode panel lock with digit 1 ▲&▼key(NO,YES) 2.Press☺key return normal display
Step	Parameter Mark Description	Parameter Mark	Operation Manual
1	Setting one-alarm alarm value Default = 0000	1 2 3 4 5 6 1 2 3 4 1 2 3 4	1.In normal display,decode one-alarm alarm value with per digit ▲&▼key (0~9999) .no key in any key 5 sec. Auto save data
2	Setting totalizer alarm value Default=0000	1 2 3 4 5 6 A L 2 1 2 3 4	1.Press AL/SE Tkey 2.Decide totalizer alarm value with per digit ▲&▼key (0~9999) .no key in any key 5 sec. Auto save data